



The Valve Company

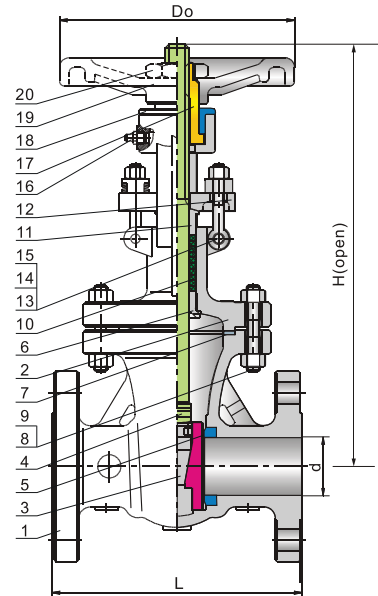
CAST STEEL DOUBLE DISC METAL SEAL PARALLEL GATE VALVE 300Lb

Applicable standards:

STEEL GATE VALVES, API 600/API 6D
 STEEL GATE VALVES, ISO 10434/ISO 14313
 STEEL VALVES, ASME B 16.34
 FACE TO FACE, ASME B 16.10
 END FLANGES, ASME B 16.5
 BUTTWELDING ENDS, ASME B 16.25
 INSPECTION AND TEST, API 598/API 6D

Design description:

FULL PORT DESIGN
 OS & Y, OUTSIDE SCREW AND YOKE
 BB, BOLTED BONNET
 "V" WITH LEADING TO DISC
 CHOICE OF SOLID OR SPLIT WEDGE
 RENEWABLE SEAT RINGS
 FORGED T-HEAD STEM
 RISING STEM AND NON-RISING HANDWHEEL
 FLANGED OR BUTTWELDING ENDS
 AVAILABLE WITH BG OPERATOR

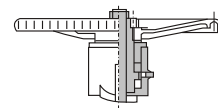


Materials of parts

No	Part Name	ASTM Material		
		Carbon Steel	1 1/4Cr-1/2Mo	Carbon Steel
1	Body	A216-WCB	A217-WC6	A352-LCB
2	Bonnet	A216-WCB	A217-WC6	A352-LCB
3	Wedge	A216-WCB+CR13	A217-WC6+HF	A352-LCB+CR13
4	Stem	A182-F6a	CR-MO-V	A182-F6a
5	Seat Ring	A105+CR13	A182-F11+HF	A350-LF2+CR13
6	Stem Back Seat	A276-420	A276-304	A276-420
7	Bonnet Gasket	Spiral Wound (Graphite+304)		
8	Bonnet Stud	A193-B7	A193-B16	A320-L7
9	Bonnet Stud Nut	A194-2H	A194-7	A194-4
10	Packing	Graphite		
11	Gland	A276-420	A276-304	A276-420
12	Gland Flange	A216-WCB	A217-WC6	A352-LCB
13	Eyebolt Pin	Carbon Steel	A276-420	Carbon Steel
14	Eyebolt	Carbon Steel	A193-B7	Carbon Steel
15	Eyebolt Nut	Carbon Steel	A194-2H	Carbon Steel
16	Grease Fitting	Brass+Steel		
17	Yokesleeve	Aluminum-Bronze ¹⁾		
18	Yokesleeve Jam Nut	Carbon Steel		
19	Handwheel	Malleable Iron		
20	Handwheel Nut	Carbon Steel		

Note: 1). Ductile Ni-Resist optional

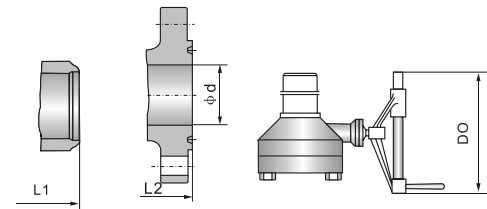
2). Wedge and seat ring may either be solid facing material or a base material equal to or better than the body/bonnet material with facing as shown.



For NPS 10 & Larger



Yoke For NPS 10 & Larger



RTJ End

Dimensions data

NPS	2	2 1/2	3	4	6	8	10	12	14	16	18	20	24	26	28	30	32	36	40	42	48	in
DN	50	65	80	100	150	200	250	300	350	400	450	500	600	650	700	750	800	900	1000	1050	1200	mm

ANSI Class 300Lb

L/L1 (RF/BW)	8.50	9.50	11.12	12.00	15.88	16.50	18.00	19.75	30.00	33.00	36.00	39.00	45.00	49.00	53.00	55.00	60.00	68.00	76.96	80.00	90.00	in
	216	241	283	305	403	419	457	502	762	838	914	991	1143	1245	1346	1397	1524	1727	1955	2032	2286	mm
L2 (RTJ)	9.12	10.12	11.75	12.62	16.50	17.12	18.62	20.38	30.62	33.62	36.62	39.75	45.88	50.00	54.00	56.00	61.12	69.12	-	-	-	in
	232	257	298	321	419	435	473	518	778	854	930	1010	1165	1270	1372	1422	1553	1756	-	-	-	mm
H (OPEN)	16.12	17.88	20.00	24.00	31.75	59.38	47.62	55.75	62.25	67.88	77.12	86.38	102.00	117.00	122.00	126.00	130.00	152.00	146.18	154.17	177.20	in
	410	453	509	612	805	1000	1210	1415	1580	1725	1960	2195	2590	2975	3100	3200	3300	3860	3713	3916	4501	mm
(d)	50	63	76	100	150	200	250	300	336	387	431	482	584	635	686	737	781	876	-	-	-	mm
D0	8	8	10	12	14	16	18	20	22	22	24	26	29	32	32	32	38	40	28.34	28.34	28.34	in
	200	200	250	300	350	400	450	500	550	550	600	640	720	720	800	800	950	1000	720	720	720	mm
WT (kg)	23	35	50	71	144	209	322	482	683	950	1145	1635	2660	3090	3310	3595	3720	3985	8100	9750	13050	RF/RTJ
	17	26	39	53	113	164	256	390	565	805	965	1410	2305	2540	2725	3055	3360	3630	-	-	-	BW
Toquire	16	18	21	42	86	128	215	289	423	537	649	1009	1451	-	-	3140	-	4239	-	-	-	mm