



The Valve Company

PRESSURE SEAL CAST STEEL DOUBLE DISC METAL SEAL PARALLEL GATE VALVE 900Lb

Applicable standards:

STEEL GATE VALVES, API 600/API 6D
STEEL GATE VALVES, ISO 10434/ISO 14313
STEEL VALVES, ASME B 16.34
FACE TO FACE, ASME B 16.10
END FLANGES, ASME B 16.5
BUTTWELDING ENDS, ASME B 16.25
INSPECTION AND TEST, API 598/API 6D

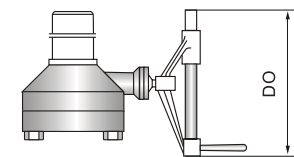
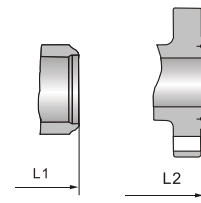
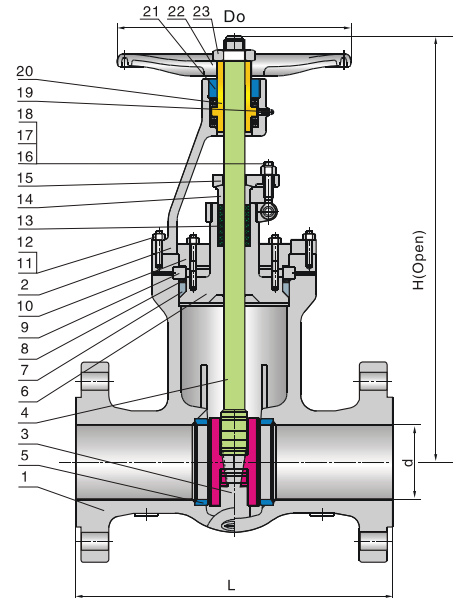
Design description:

PSB, PRESSURE SEAL BONNET
"V" WITH LEADING TO DISC
RENEWABLE SEAT RINGS
FORGED T-HEAD STEM
RISING STEM AND NON-RISING HANDWHEEL
FLANGED OR BUTTWELDING ENDS
AVAILABLE WITH BG OPERATOR

Materials of parts

No	Part Name	Carbon Steel	ASTM Material 1 ¹ / ₄ Cr-1 ¹ / ₂ Mo	18Cr-9Ni-2Mo
1	Body	A216-WCB	A217-WC6	A351-CF8M
2	Yoke	A216-WCB	A217-WC6	A351-CF8M
3	Wedge	A216-WCB+HF	A217-WC6+HF	A351-CF8M+HF
4	Stem	A182-F6a	CR-MO-V	A182-316
5	Seat Ring	A105+HF	A182-F11+HF	A240-316+HF
6	Bonnet	A105	A182-F11	A240-316
7	Bonnet Gasket ¹⁾	Steel Ring	304SS Ring	316SS Ring
8	Adapter Ring	Carbon Steel	A276-420	A276-316
9	Retainer	Carbon Steel	A276-420	A276-316
10	Yoke Cap	Carbon Steel	Alloy Steel	Stainless Steel
11	Bonnet Stud	A193-B7	A193-B16	A193-B8M
12	Bonnet Stud Nut	A194-2H	A194-7	A194-8M
13	Packing		Graphite	
14	Gland	A276-420	A276-304	A276-316L
15	Gland Flange	A216-WCB	A217-WC6	A351-CF8M
16	Eyebolt Pin	Carbon Steel	A276-420	A276-316
17	Eyebolt	Carbon Steel	A193-B7	A193-B8
18	Eyebolt Nut	Carbon Steel	A194-2H	A194-8
19	Grease Fitting		Brass+Steel	
20	Yokesleeve		Aluminum-Bronze ²⁾	
21	Yokesleeve Jam Nut		Carbon Steel	
22	Handwheel		Malleable Iron	
23	Handwheel Nut		Carbon Steel	

Note: 1). Graphite optional
2). Ductile Ni-Resist optional
3). Wedge and seat ring may either be solid facing material or a base material equal to or better than the body/bonnet material with facing as shown.



Dimensions data

NPS	2	2 1/2	3	4	6	8	10	12	14	16	18	20	24	26	28	32	34	36	in
DN	50	65	80	100	150	200	250	300	350	400	450	500	600	650	700	800	850	900	mm

ANSI Class 900Lb

L1 (BW)	8.50 216	10.00 254	12.00 305	14.00 356	20.00 508	26.00 660	31.00 787	36.00 914	39.00 991	43.00 1092	47.99 1219	52.00 1321	60.98 1549	61.96 1574	65.47 1663	70.00 1778	72.99 1854	80.00 2032	in mm
L (RF)	14.50 368	16.50 419	15.00 381	18.00 457	24.00 610	29.00 737	33.00 838	38.00 965	40.50 1029	44.50 1130	47.99 1219	52.00 1321	60.98 1549	61.96 1574	65.47 1663	70.00 1778	72.99 1854	80.00 2032	in mm
L2 (RTJ)	14.62 371	16.62 422	15.12 384	18.12 460	24.12 613	29.12 740	33.12 841	38.12 968	40.88 1038	44.88 1140	48.50 1232	52.51 1334	61.73 1568	-	-	-	-	-	in mm
H (OPEN)	17.62 448	17.62 448	19.5 495	22.88 580	32.62 830	67.62 955	53.12 1155	59 1350	70.5 1500	93.74 1790	96.49 2381	116.96 2451	131.96 2971	145.47 3352	157.48 3695	163.97 4000	180.98 4165	180.98 4597	in mm
D0	14 350	14 350	14 350	14 350	18 450	24 600	28 700	34 850	34 850	34 850	29.92 760	29.92 760	35.43 900	35.43 900	35.43 900	35.43 900	35.43 900	35.43 900	in mm
WT (kg)	39 69	39 69	48 72	69 110	158 253	289 430	482 710	710 1025	998 1452	1390 1960	2340 2750	2800 3400	3420 4400	4270 5500	5454 6900	7392 9000	9042 11000	10874 13500	BW RF/RT