



The Valve Company

FLAT GATE VALVE

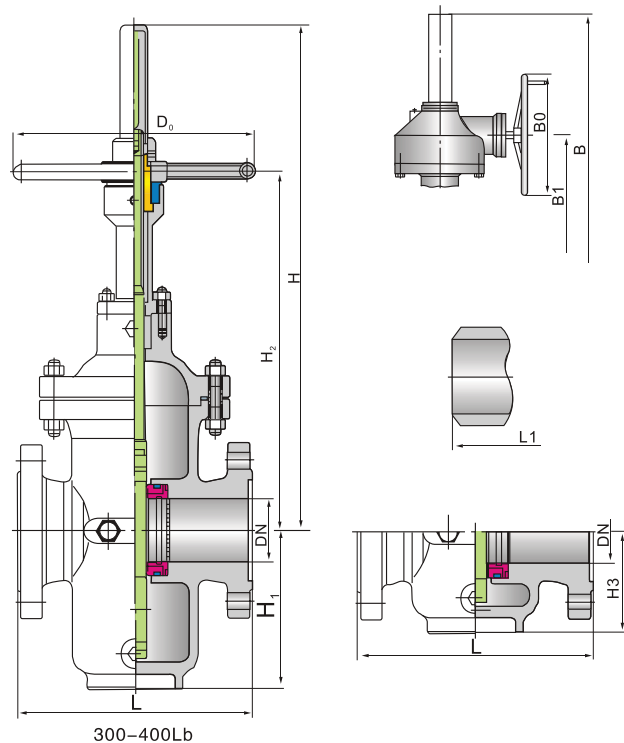
600Lb/900Lb

Applicable standards:

- STEEL GATE VALVES, AAPI 6D
- STEEL GATE VALVES, ISO 14313
- STEEL VALVES, ASME B 16.34
- FACE TO FACE, ASME B 16.10
- END FLANGES, ASME B 16.5
- BUTTWELDING ENDS, ASME B 16.25
- INSPECTION AND TEST, API 6D

Design description:

- FULL PATH DESIGN
- OS & Y, OUTSIDE SCREW AND YOKE
- BB, BOLTED BONNET
- PARALLEL SINGLE OR DOUBLE DISC TYPE
- “K” TYPE OR “V” TYPE OPEN DOUBLE WEDGE DISC
- RENEWABLE SEAT RINGS
- FORGED T-HEAD STEM
- RISING STEM AND NON-RISING HANDWHEEL
- FLANGED OR BUTTWELDING ENDS
- AVAILABLE WITH BG OPERATOR
- CONDUCTION CURRENT OR NO CONDUCTION CURRENT PATTEM



NPS DN	1 25	1¼ 32	1½ 40	2 50	2½ 65	3 80	4 100	6 150	8 200	10 250	12 300	14 350	16 400	18 450	20 500	24 600
-----------	---------	----------	----------	---------	----------	---------	----------	----------	----------	-----------	-----------	-----------	-----------	-----------	-----------	-----------

ANSI Class 600Lb

L				292	330	356	432	559	660	787	838	889	991	1092	1194	
L ₁				292	330	356	432	559	660	787	838	889	991	1092	1194	
H				468	565	625	720	910	1145	1411	1590	-	-	-	-	
H ₂				335	430	440	510	630	800	1050	1160	-	-	-	-	
D ₀				300	300	350	350	400	500	500	600	-	-	-	-	
B				505	560	610	770	965	1200	1370	1560	1740	1970	2260	2420	
B ₁				430	470	510	650	800	960	1090	1200	1350	1540	1700	1850	
B ₀				310	310	310	310	310	310	460	460	460	460	460	460	
Geared driving				BA-0	BA-0	BA-0	BA-0	BA-0	BA-1	BA-1	BA-1	BA-2	BA-2	BA-2	BA-2	
H ₃				108	125	145	165	220	280	330	380	430	480	530	580	
H ₁				158	190	225	255	330	410	490	570	650	735	810	905	

ANSI Class 900Lb

L(RF)	254	279	305	368	419	381	457	610	737	838	965	1029	1130	1219	1321	1549
L(BW)	254	279	305	368	419	381	457	610	737	838	965	1029	1130	1219	1321	1549
H	325	405	503	550	618	693	810	1052	1263	1583	1698	-	-	-	-	-
H ₂	253	312	387	416	491	531	618	791	942	1136	1271	-	-	-	-	-
D ₀	250	300	300	350	400	500	600	650	700	800	1000	-	-	-	-	-
B	-	-	-	-	-	833	950	1212	1423	1813	1928	2230	-	-	-	-
B ₁	-	-	-	-	-	616	703	886	1037	1276	1411	1585	-	-	-	-
B ₀	-	-	-	-	-	305	305	458	458	458	458	458	-	-	-	-
H ₃	73	85	91	97	110	121	133	176	206	255	290	321	351	395	436	515
H ₁	100	128	40	147	184	216	266	418	508	600	726	775	871	966	1060	1416