



The Valve Company

CAST STEEL GATE VALVE

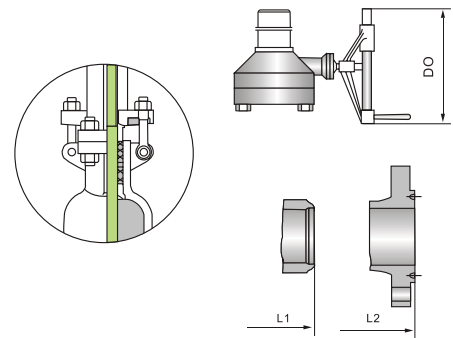
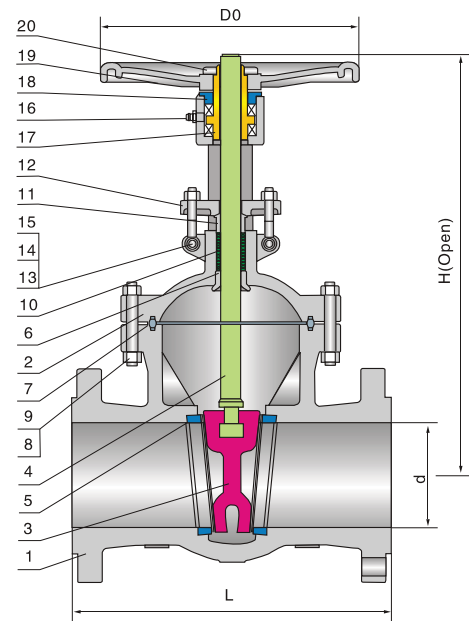
1500Lb

Applicable standards:

STEEL GATE VALVES, API 600/API 6D
 STEEL GATE VALVES, ISO 10434/ISO 14313
 STEEL VALVES, ASME B 16.34
 FACE TO FACE, ASME B 16.10
 END FLANGES, ASME B 16.5
 BUTTWELDING ENDS, ASME B 16.25
 INSPECTION AND TEST, API 598/API 6D

Design description:

FULL PORT DESIGN
 OS & Y, OUTSIDE SCREW AND YOKE
 BB, BOLTED BONNET
 FLEXIBLE WEDGE, FULLY GUIDED
 CHOICE OF SOLID OR SPLIT WEDGE
 RENEWABLE SEAT RINGS
 FORGED T-HEAD STEM
 RISING STEM AND NON-RISING HANDWHEEL
 FLANGED OR BUTTWELDING ENDS
 AVAILABLE WITH BG OPERATOR



Materials of parts

| No | Part Name | ASTM Material | | |
|----|--------------------|-------------------------------|---------------|---------------|
| | | Carbon Steel | 1 1/4Cr-1/2Mo | Carbon Steel |
| 1 | Body | A216-WCB | A217-WC6 | A352-LCB |
| 2 | Bonnet | A216-WCB | A217-WC6 | A352-LCB |
| 3 | Wedge | A216-WCB+CR13 | A217-WC6+HF | A352-LCB+CR13 |
| 4 | Stem | A182-F6a | CR-MO-V | A182-F6a |
| 5 | Seat Ring | A105+CR13 | A182-F11+HF | A350-LF2+CR13 |
| 6 | Stem Back Seat | A276-420 | A276-304 | A276-420 |
| 7 | Bonnet Gasket | Steel Ring | 304SS Ring | Steel Ring |
| 8 | Bonnet Stud | A193-B7 | A193-B16 | A320-L7 |
| 9 | Bonnet Stud Nut | A194-2H | A194-7 | A194-4 |
| 10 | Packing | Graphite | | |
| 11 | Gland | A276-420 | A276-304 | A276-420 |
| 12 | Gland Flange | A216-WCB | A217-WC6 | A352-LCB |
| 13 | Eyebolt Pin | Carbon Steel | A276-420 | Carbon Steel |
| 14 | Eyebolt | Carbon Steel | A193-B7 | Carbon Steel |
| 15 | Eyebolt Nut | Carbon Steel | A194-2H | Carbon Steel |
| 16 | Grease Fitting | Brass+Steel | | |
| 17 | Yokesleeve | Aluminum-Bronze ¹⁾ | | |
| 18 | Yokesleeve Jam Nut | Carbon Steel | | |
| 19 | Handwheel | Malleable Iron | | |
| 20 | Handwheel Nut | Carbon Steel | | |

Note: 1). Ductile Ni-Resist optional

2). Wedge and seat ring may either be solid facing material or a base material equal to or better than the body/bonnet material with facing as shown.

Dimensions data

| NPS | 2 | 2 1/2 | 3 | 4 | 6 | 8 | 10 | 12 | 14 | 16 | 18 | 20 | 24 | in |
|-----|----|-------|----|-----|-----|-----|-----|-----|-----|-----|-----|-----|-----|----|
| DN | 50 | 65 | 80 | 100 | 150 | 200 | 250 | 300 | 350 | 400 | 450 | 500 | 600 | mm |

ANSI Class 1500Lb

| | | | | | | | | | | | | | | |
|--------------|-------|-------|-------|-------|-------|-------|-------|-------|-------|-------|-------|--------|--------|--------|
| L/L1 (RF/BW) | 14.50 | 16.50 | 18.50 | 21.50 | 27.75 | 32.75 | 39.00 | 44.50 | 49.50 | 54.50 | 60.50 | 65.50 | 76.50 | in |
| | 368 | 419 | 470 | 546 | 705 | 832 | 991 | 1130 | 1257 | 1384 | 1537 | 1664 | 1943 | mm |
| L2 (RTJ) | 15.50 | 16.62 | 18.62 | 21.62 | 28.00 | 33.12 | 39.38 | 45.12 | 50.25 | 55.38 | 61.38 | 66.38 | 77.62 | in |
| | 371 | 422 | 473 | 549 | 711 | 841 | 1000 | 1146 | 1276 | 1407 | 1559 | 1686 | 1972 | mm |
| H (OPEN) | 24.25 | 26.00 | 30.00 | 34.12 | 39.50 | 45.00 | 54.00 | 61.00 | 74.88 | 80.50 | 93.75 | 101.50 | 114.75 | in |
| | 615 | 658 | 760 | 868 | 1005 | 1145 | 1370 | 1550 | 1900 | 2050 | 2380 | 2580 | 2915 | mm |
| (d) | 47 | 57 | 69 | 92 | 136 | 177 | 222 | 263 | 288 | 330 | 371 | 415 | 498 | mm |
| D0 | 10 | 12 | 18 | 20 | 24 | 18 | 18 | 24 | 24 | 24 | 24 | 24 | 24 | in |
| | 250 | 300 | 450 | 500 | 600 | 460 | 460 | 600 | 600 | 600 | 600 | 600 | 600 | mm |
| WT (kg) | 116 | 166 | 209 | 296 | 510 | 920 | 1910 | 3145 | 4100 | 6200 | 8965 | 13100 | 15860 | RF/RTJ |
| | 105 | 150 | 188 | 265 | 412 | 760 | 1640 | 2755 | 3200 | 5300 | 8070 | 11790 | 14275 | BW |
| Toqure | 54 | 76 | 108 | 167 | 426 | 801 | 1268 | 2078 | 2392 | - | - | - | - | mm |