



The Valve Company

CAST STEEL GATE VALVE

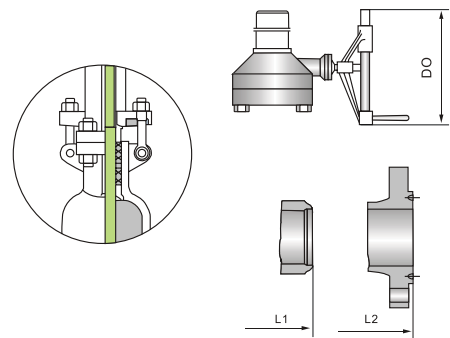
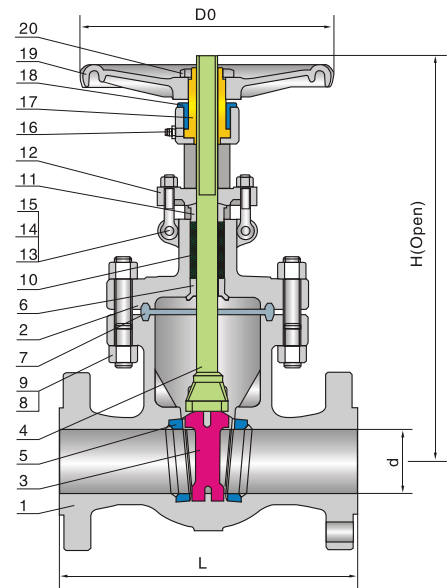
900Lb

Applicable standards:

STEEL GATE VALVES, API 600/API 6D
 STEEL GATE VALVES, ISO 10434/ISO 14313
 STEEL VALVES, ASME B 16.34
 FACE TO FACE, ASME B 16.10
 END FLANGES, ASME B 16.5
 BUTTWELDING ENDS, ASME B 16.25
 INSPECTION AND TEST, API 598/API 6D

Design description:

FULL PORT DESIGN
 OS & Y, OUTSIDE SCREW AND YOKE
 BB, BOLTED BONNET
 FLEXIBLE WEDGE, FULLY GUIDED
 CHOICE OF SOLID OR SPLIT WEDGE
 RENEWABLE SEAT RINGS
 FORGED T-HEAD STEM
 RISING STEM AND NON-RISING HANDWHEEL
 FLANGED OR BUTTWELDING ENDS
 AVAILABLE WITH BG OPERATOR



Materials of parts

No	Part Name	ASTM Material		
		Carbon Steel	1 $\frac{1}{4}$ Cr- $\frac{1}{2}$ Mo	Carbon Steel
1	Body	A216-WCB	A217-WC6	A352-LCB
2	Bonnet	A216-WCB	A217-WC6	A352-LCB
3	Wedge	A216-WCB+CR13	A217-WC6+HF	A352-LCB+CR13
4	Stem	A182-F6a	CR-MO-V	A182-F6a
5	Seat Ring	A105+CR13	A182-F11+HF	A350-LF2+CR13
6	Stem Back Seat	A276-420	A276-304	A276-420
7	Bonnet Gasket	Steel Ring	304SS Ring	Steel Ring
8	Bonnet Stud	A193-B7	A193-B16	A320-L7
9	Bonnet Stud Nut	A194-2H	A194-7	A194-4
10	Packing	Graphite		
11	Gland	A276-420	A276-304	A276-420
12	Gland Flange	A216-WCB	A217-WC6	A352-LCB
13	Eyebolt Pin	Carbon Steel	A276-420	Carbon Steel
14	Eyebolt	Carbon Steel	A193-B7	Carbon Steel
15	Eyebolt Nut	Carbon Steel	A194-2H	Carbon Steel
16	Grease Fitting	Brass+Steel		
17	Yokesleeve	Aluminum-Bronze ¹⁾		
18	Yokesleeve Jam Nut	Carbon Steel		
19	Handwheel	Malleable Iron		
20	Handwheel Nut	Carbon Steel		

Note: 1). Ductile Ni-Resist optional

2). Wedge and seat ring may either be solid facing material or a base material equal to or better than the body/bonnet material with facing as shown.

Dimensions data

NPS	2	2 $\frac{1}{2}$	3	4	6	8	10	12	14	16	18	20	24	in
DN	50	65	80	100	150	200	250	300	350	400	450	500	600	mm

ANSI Class 900Lb

L/L1 (RF/BW)	14.50 368	16.50 419	15.50 381	18.00 457	24.00 610	29.00 737	33.00 838	38.00 965	40.50 1029	44.50 1130	48.00 1219	52.00 1321	61.00 1549	in mm
L2 (RTJ)	14.62 371	16.62 422	15.12 384	18.12 460	24.12 613	29.12 740	33.12 841	38.12 968	40.88 1038	44.88 1140	48.50 1232	52.50 1334	61.75 1568	in mm
H (OPEN)	19.62 498	21.50 547	22.50 573	26.62 678	35.50 900	43.50 1103	53.00 1345	60.00 1525	74.88 1900	81.00 2055	87.00 2215	101.00 2565	104.00 2640	in mm
(d)	47	57	72	98	146	190	238	282	311	355	400	444	533	mm
D0	10	10	12	18	20	24	26	29	32	32	38	38	40	in
	250	250	300	450	500	600	640	720	800	800	950	950	1000	mm
WT (kg)	74	131	101	172	335	640	1100	1600	2250	2850	3060	3935	4900	RF/RTJ
	54	105	78	135	260	515	920	1380	2010	2565	2485	3250	4065	BW
Toquire	39	56	64	118	243	427	783	1163	1331	-	-	-	-	mm