



The Valve Company

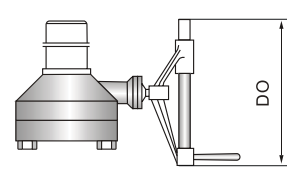
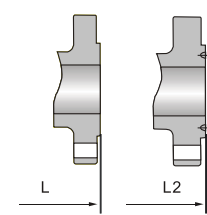
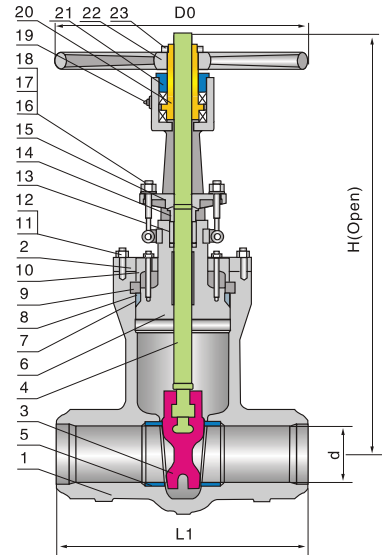
# PRESSURE SEAL CAST STEEL GATE VALVE 2500Lb

### Applicable standards:

STEEL GATE VALVES, API 600/API 6D  
STEEL GATE VALVES, ISO 10434/ISO 14313  
STEEL VALVES, ASME B 16.34  
FACE TO FACE, ASME B 16.10  
END FLANGES, ASME B 16.5  
BUTTWELDING ENDS, ASME B 16.25  
INSPECTION AND TEST, API 598/API 6D

### Design description:

PSB, PRESSURE SEAL BONNET  
FLEXIBLE WEDGE, FULLY GUIDED  
CHOICE OF SOLID OR SPLIT WEDGE  
RENEWABLE SEAT RINGS  
FORGED T-HEAD STEM  
RISING STEM AND NON-RISING HANDWHEEL  
FLANGED OR BUTTWELDING ENDS  
AVAILABLE WITH BG OPERATOR



### Materials of parts

No	Part Name	Carbon Steel	ASTM Material 1 <sup>1</sup> / <sub>4</sub> Cr- <sup>1</sup> / <sub>2</sub> Mo	18Cr-9Ni-2Mo
1	Body	A216-WCB	A217-WC6	A351-CF8M
2	Yoke	A216-WCB	A217-WC6	A351-CF8M
3	Wedge	A216-WCB+HF	A217-WC6+HF	A351-CF8M+HF
4	Stem	A182-F6a	CR-MO-V	A182-316
5	Seat Ring	A105+HF	A182-F11+HF	A240-316+HF
6	Bonnet	A105	A182-F11	A240-316
7	Bonnet Gasket <sup>1)</sup>		304+Graphite	
8	Adapter Ring	Carbon Steel	A276-420	A276-316
9	Retainer	Carbon Steel	A276-420	A276-316
10	Yoke Cap	Carbon Steel	Alloy Steel	Stainless Steel
11	Bonnet Stud	A193-B7	A193-B16	A193-B8M
12	Bonnet Stud Nut	A194-2H	A194-7	A194-8M
13	Packing		Graphite	
14	Gland	A276-420	A276-304	A276-316L
15	Gland Flange	A216-WCB	A217-WC6	A351-CF8M
16	Eyebolt Pin	Carbon Steel	A276-420	A276-316
17	Eyebolt	Carbon Steel	A193-B7	A193-B8
18	Eyebolt Nut	Carbon Steel	A194-2H	A194-8
19	Grease Fitting		Brass+Steel	
20	Yokesleeve		Aluminum-Bronze <sup>2)</sup>	
21	Yokesleeve Jam Nut		Carbon Steel	
22	Handwheel		Malleable Iron	
23	Handwheel Nut		Carbon Steel	

Note: 1).Graphite optional  
2).Ductile Ni-Resist optional  
3).Wedge and seat ring may either be solid facing material or a base material equal to or better than the body/bonnet material with facing as shown.

### Dimensions data

NPS DN	2 50	2 <sup>1</sup> / <sub>2</sub> 65	3 80	4 100	6 150	8 200	10 250	12 300	14 350	16 400	18 450	20 500	24 600	26 650	28 700	32 800	34 850	36 900	in mm
-----------	---------	-------------------------------------	---------	----------	----------	----------	-----------	-----------	-----------	-----------	-----------	-----------	-----------	-----------	-----------	-----------	-----------	-----------	----------

#### ANSI Class 2500Lb

L1 (BW)	11.00 279	13.00 330	14.50 368	18.00 457	24.00 610	30.00 762	36.00 914	41.00 1041	44.01 1118	49.01 1245	55.00 1397	55.00 1397	63.97 1625	70.00 1778	75.00 1905	80.00 2032	85.98 2184	95.00 2413	in mm
L (RF)	17.75 451	20.00 508	22.75 578	26.50 673	36.00 914	40.25 1022	50.00 1270	56.00 1422	- -	- -	- -	- -	- -	- -	- -	- -	- -	- -	in mm
L2 (RTJ)	17.88 454	20.50 514	23.00 584	26.88 683	36.50 927	40.88 1038	50.88 1292	56.88 1445	- -	- -	- -	- -	- -	- -	- -	- -	- -	- -	in mm
H (OPEN)	22.5 570	22.5 570	25.62 650	30 760	36.62 930	41.38 1050	44.88 1140	60.25 1530	54.29 1379	58.30 1481	65.00 1651	71.29 1811	75.00 1905	80.00 2032	82.99 2108	92.99 2362	96.96 2463	120.59 3063	in mm
D0	14 350	14 350	18 450	24 600	28 700	34 850	34 850	34 850	40.15 1020	40.15 1020	40.15 1020	40.15 1020	- -	- -	- -	- -	- -	- -	in mm
WT (kg)	110 165	110 195	150 235	175 316	380 635	575 910	980 1780	1570 2680	3200 -	4100 -	5200 -	6800 -	9500 -	11000 -	13100 -	17200 -	19300 -	25000 -	BW RF/RTJ