



The Valve Company

# CAST STEEL GLOBE VALVE

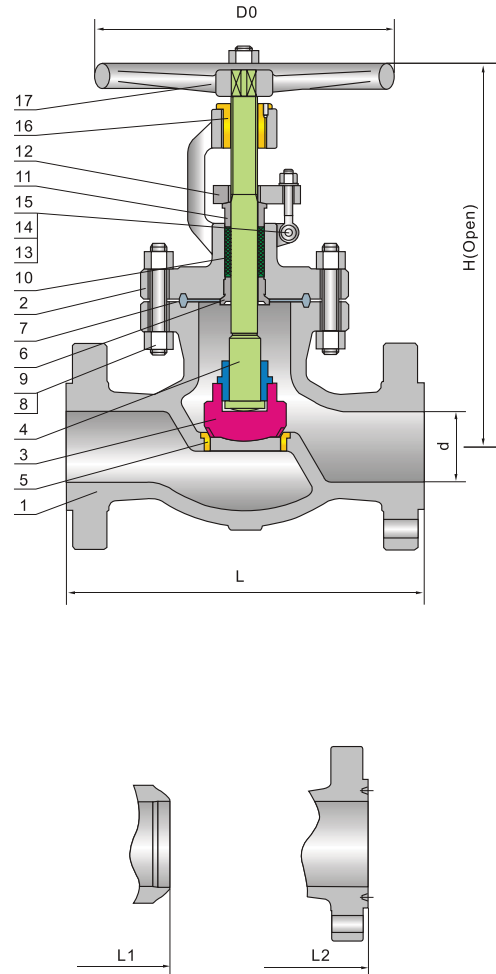
## 1500Lb/2500Lb

### Applicable standards:

STEEL GLOBE VALVES, BS BS1873/API600  
 STEEL VALVES, ASME B16.34  
 FACE TO FACE, ASME B16.10  
 END FLANGES, ASME B16.5  
 BUTTWELDING ENDS, ASME B16.25  
 INSPECTION AND TEST, API 598

### Design description:

STRAIGHT PATTERN BODY DESIGN  
 OS & Y, OUTSIDE SCREW AND YOKE  
 BB, BOLTED BONNET  
 YOKE INTEGRAL WITH BONNET  
 RISING STEM AND HANDWHEEL  
 LOOSE DISC, CHOICE OF PLUG OR BALL  
 RENEWABLE SEAT RING  
 IMPACT HANDWHEEL FOR 10" & ABOVE  
 HORIZONTAL SERVICE  
 FLANGED OR BUTTWELDING ENDS  
 AVAILABLE WITH BG OPERATOR



### Materials of parts

NO	Part Name	ASTM Material		
		Carbon Steel	1 1/4Cr-1/2Mo	Carbon Steel
1	Body	A216-WCB	A217-WC6	A352-LCB
2	Bonnet	A216-WCB	A217-WC6	A352-LCB
3	Disc	A105+CR13	A182-F11+HF	A3510-LF2+CR13
4	Stem	A182-F6a	CR-MO-V	A182-F6a
5	Seat Ring	A105+HF	A182-F11+HF	A350-LF2+HF
6	Stem BackSeat	A276-420	A276-304	A276-420
7	Bonnet Gasket	Steel Ring	304SS Ring	Steel Ring
8	Bonnet Stud	A193-B7	A193-B16	A320-L7
9	Bonnet Stud Nut	A194-2H	A194-7	A194-4
10	Packing	Graphite		
11	Gland	A276-420	A276-304	A276-420
12	Gland Flange	A216-WCB	A217-WC6	A352-LCB
13	Eyebolt Pin	Carbon Steel	A276-420	Carbon Steel
14	Eyebolt	Carbon Steel	A193-B7	Carbon Steel
15	Eyebolt Nut	Carbon Steel	A194-2H	Carbon Steel
16	Yokesleeve	Aluminum-Bronze <sup>1)</sup>		
17	Handwheel	Malleable Iron		

Note: 1) Ductile Ni-Resist optional

2) Wedge and seat ring may either be solid facing material or a base material equal to or better than the body/bonnet material with facing as shown.

### Dimensions data

NPS DN	2 50	2 1/2 65	3 80	4 100	6 150	8 200	2 50	2 1/2 65	3 80	4 100	6 150	in mm
	ANSI Class 1500Lb						ANSI Class 2500Lb					
L/L1 (RF/BW)	14.50 368	16.50 419	18.50 470	21.50 546	27.75 705	32.75 832	17.75 451	20.00 508	22.75 578	26.50 673	36.00 914	in mm
L2 (RTJ)	14.62 371	16.62 422	18.62 473	21.62 549	28.00 711	33.12 841	17.88 454	20.50 514	23.00 584	26.88 683	36.50 927	in mm
H (OPEN)	22.00 560	23.25 590	29.50 750	36.00 915	48.62 1235	65.00 1650	25.50 650	28.12 715	32.50 825	47.00 1195	70.50 1790	in mm
(d)	47	57	69	92	136	177	38	47	57	72	111	mm
D0	13 320	16 400	18 450	20 500	24 600	28 700	16 400	18 450	20 500	24 600	28 700	in mm
WT (kg)	68 57	97 81	116 95	215 184	445 347	795 635	97 72	138 95	167 108	305 196	633 351	RF BW