



The Valve Company

CAST STEEL GLOBE VALVE

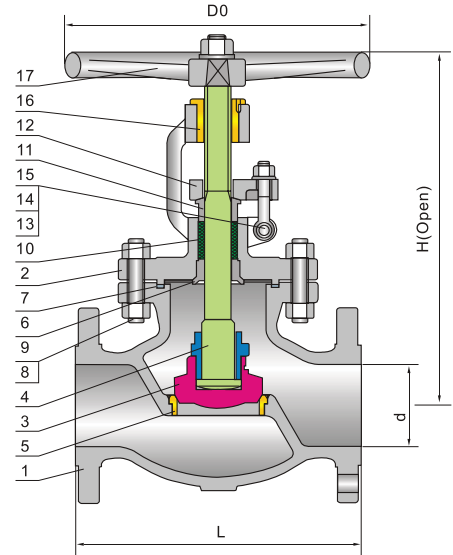
150Lb/300Lb

Applicable standards:

STEEL GLOBE VALVES, BS1873/API600
 STEEL VALVES, ASME B16.34
 FACE TO FACE, ASME B16.10
 END FLANGES, ASME B16.5
 BUTTWELDING ENDS, ASME B16.25
 INSPECTION AND TEST, API 598

Design description:

STRAIGHT PATTERN BODY DESIGN
 OS & Y, OUTSIDE SCREW AND YOKE
 BB, BOLTED BONNET
 YOKE INTEGRAL WITH BONNET
 RISING STEM AND HANDWHEEL
 LOOSE DISC, CHOICE OF PLUG OR BALL
 RENEWABLE SEAT RING
 IMPACT HANDWHEEL FOR 10" & ABOVE
 HORIZONTAL SERVICE
 FLANGED OR BUTTWELDING ENDS
 AVAILABLE WITH BG OPERATOR

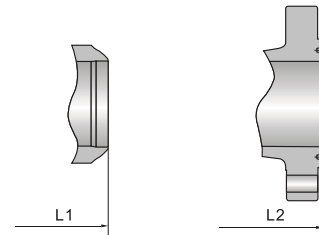


Materials of parts

NO	Part Name	ASTM Material		
		Carbon Steel	1¼Cr-½Mo	Carbon Steel
1	Body	A216-WCB	A217-WC6	A352-LCB
2	Bonnet	A216-WCB	A217-WC6	A352-LCB
3	Disc	A105+CR13	A182-F11+HF	A3510-LF2+CR13
4	Stem	A182-F6a	CR-MO-V	A182-F6a
5	Seat Ring	A105+CR13	A182-F11+HF	A350-LF2+CR13
6	Stem BackSeat	A276-420	A276-304	A276-420
7	Bonnet Gasket	Spiral Wound (Graphite+304)		
8	Bonnet Stud	A193-B7	A193-B16	A320-L7
9	Bonnet Stud Nut	A194-2H	A194-7	A194-4
10	Packing	Graphite		
11	Gland	A276-420	A276-304	A276-420
12	Gland Flange	A216-WCB	A217-WC6	A352-LCB
13	Eyebolt Pin	Carbon Steel	A276-420	Carbon Steel
14	Eyebolt	Carbon Steel	A193-B7	Carbon Steel
15	Eyebolt Nut	Carbon Steel	A194-2H	Carbon Steel
16	Yokesleeve	Aluminum-Bronze ¹⁾		
17	Handwheel	Malleable Iron		

Note: 1), Ductile Ni-Resist optional

2), Disc and seat ring may either be solid facing material or a base material equal to or better than the body/bonnet material with facing as shown.



Dimensions data

NPS	2	2½	3	4	6	8	10	12	14	16	18	20	24	in
DN	50	65	80	100	150	200	250	300	350	400	450	500	600	mm

ANSI Class 150Lb

L/L1 (RF/BW)	8.00	8.50	9.50	11.50	16.00	19.50	24.50	27.50	31.00	36.00	38.46	38.46	50.98	in
	203	216	241	292	406	495	622	698	787	914	977	977	1295	mm
L2 (RTJ)	8.00	8.50	9.50	11.50	16.00	19.50	24.50	27.50	31.00	36.00	-	-	-	in
	203	216	241	292	406	495	622	698	787	914	-	-	-	mm
H (OPEN)	15.00	21.00	17.50	20.25	22.00	24.25	32.00	35.88	48.38	57.00	41.96	43.97	50.98	in
	380	535	445	515	560	615	815	910	1230	1450	1066	1117	1295	mm
(d)	50	63	76	100	150	200	250	300	360	387	438	488	590	mm
D0	7	10	11	11	13	13	16	18	20	24	28.34	28.34	33.46	in
	180	240	280	280	320	320	400	450	500	600	720	720	850	mm
WT (kg)	18	30	41	64	86	110	280	380	510	740	1150	1650	2200	RF
	14	22	33	43	72	88	245	345	450	665	-	-	-	BW

ANSI Class 300Lb

L/L1 (RF/BW)	10.50	11.50	12.50	14.00	17.50	22.00	24.50	28.00	32.99	32.99	38.46	40.00	52.99	in
	267	292	318	356	444	559	622	711	838	863	977	1016	1346	mm
L2 (RTJ)	11.12	12.12	13.12	14.62	18.12	22.62	25.12	28.62	-	-	-	-	-	in
	282	308	333	371	460	575	638	727	-	-	-	-	-	mm
H (OPEN)	16.75	19.00	19.88	22.50	25.25	33.25	35.50	38.62	-	53.97	57.99	61.96	70.98	in
	425	485	505	570	640	845	900	980	-	1371	1473	1574	1803	mm
(d)	50	63	76	100	150	200	250	300	336	387	431	482	584	mm
D0	8	10	11	13	16	18	20	24	33.85	24.01	24.01	28.34	28.34	in
	200	240	280	320	400	450	500	600	860	610	610	720	720	mm
WT (kg)	25	32	38	56	96	150	360	550	876	1200	1600	2100	3150	RF
	20	22	27	41	75	117	310	492	-	-	-	-	-	BW