



The Valve Company

# CAST STEEL GLOBE VALVE

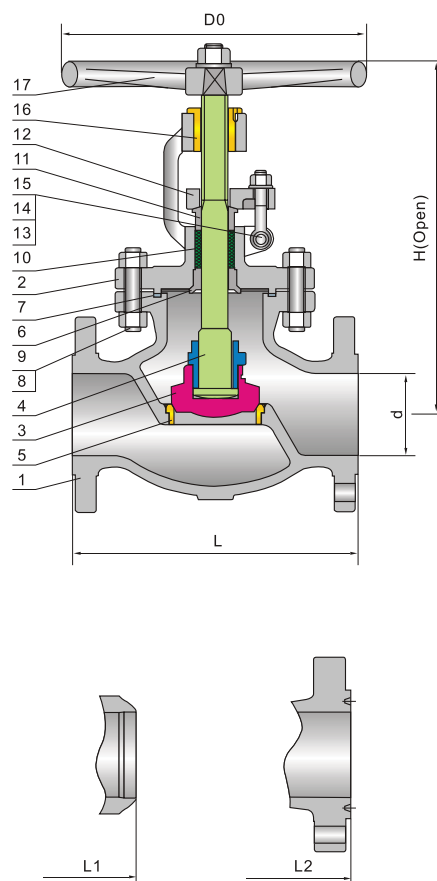
## 600Lb/900Lb

### Applicable standards:

STEEL GLOBE VALVES, BS1873/API600  
 STEEL VALVES, ASME B16.34  
 FACE TO FACE, ASME B16.10  
 END FLANGES, ASME B16.5  
 BUTTWELDING ENDS, ASME B16.25  
 INSPECTION AND TEST, API 598

### Design description:

STRAIGHT PATTERN BODY DESIGN  
 OS & Y, OUTSIDE SCREW AND YOKE  
 BB, BOLTED BONNET  
 YOKE INTEGRAL WITH BONNET  
 RISING STEM AND HANDWHEEL  
 LOOSE DISC, CHOICE OF PLUG OR BALL  
 RENEWABLE SEAT RING  
 IMPACT HANDWHEEL FOR 10" & ABOVE  
 HORIZONTAL SERVICE  
 FLANGED OR BUTTWELDING ENDS  
 AVAILABLE WITH BG OPERATOR



### Materials of parts

| NO | Part Name       | ASTM Material                 |             |                |
|----|-----------------|-------------------------------|-------------|----------------|
|    |                 | Carbon Steel                  | 1¼Cr-½Mo    | Carbon Steel   |
| 1  | Body            | A216-WCB                      | A217-WC6    | A352-LCB       |
| 2  | Bonnet          | A216-WCB                      | A217-WC6    | A352-LCB       |
| 3  | Disc            | A105+CR13                     | A182-F11+HF | A3510-LF2+CR13 |
| 4  | Stem            | A182-F6a                      | CR-MO-V     | A182-F6a       |
| 5  | Seat Ring       | A105+HF                       | A182-F11+HF | A350-LF2+HF    |
| 6  | Stem Backseat   | A276-420                      | A276-304    | A276-420       |
| 7  | Bonnet Gasket   | Spiral Wound (Graphite+304)   |             |                |
| 8  | Bonnet Stud     | A193-B7                       | A193-B16    | A320-L7        |
| 9  | Bonnet Stud Nut | A194-2H                       | A194-7      | A194-4         |
| 10 | Packing         | Graphite                      |             |                |
| 11 | Gland           | A276-420                      | A276-304    | A276-420       |
| 12 | Gland Flange    | A216-WCB                      | A217-WC6    | A352-LCB       |
| 13 | Eyebolt Pin     | Carbon Steel                  | A276-420    | Carbon Steel   |
| 14 | Eyebolt         | Carbon Steel                  | A193-B7     | Carbon Steel   |
| 15 | Eyebolt Nut     | Carbon Steel                  | A194-2H     | Carbon Steel   |
| 16 | Yokesleeve      | Aluminum-Bronze <sup>1)</sup> |             |                |
| 17 | Handwheel       | Malleable Iron                |             |                |

Note: 1). Ductile Ni-Resist optional

2). Disc and seat ring may either be solid facing material or a base material equal to or better than the body/bonnet material with facing as shown.

### Dimensions data

| NPS<br>DN        | 2<br>50      | 2½<br>65     | 3<br>80      | 4<br>100     | 6<br>150     | 8<br>200     | 10<br>250     | 12<br>300     | 2<br>50          | 2½<br>65     | 3<br>80      | 4<br>100     | 6<br>150      | 8<br>200      | 10<br>250     | in<br>mm |
|------------------|--------------|--------------|--------------|--------------|--------------|--------------|---------------|---------------|------------------|--------------|--------------|--------------|---------------|---------------|---------------|----------|
| ANSI Class 600Lb |              |              |              |              |              |              |               |               | ANSI Class 900Lb |              |              |              |               |               |               |          |
| L/L1<br>(RF/BW)  | 11.50<br>292 | 13.00<br>330 | 14.00<br>356 | 17.00<br>432 | 22.00<br>559 | 26.00<br>660 | 31.00<br>787  | 33.00<br>838  | 14.50<br>368     | 16.50<br>419 | 15.00<br>381 | 18.00<br>457 | 24.00<br>610  | 29.00<br>737  | 33.00<br>838  | in<br>mm |
| L2<br>(RTJ)      | 11.62<br>295 | 13.12<br>333 | 14.12<br>359 | 17.12<br>435 | 22.12<br>562 | 26.12<br>663 | 31.12<br>790  | 33.12<br>841  | 14.62<br>371     | 16.62<br>422 | 15.12<br>384 | 18.12<br>460 | 24.12<br>613  | 29.12<br>740  | 33.12<br>841  | in<br>mm |
| H<br>(OPEN)      | 17.50<br>445 | 19.75<br>502 | 21.00<br>533 | 24.50<br>622 | 29.50<br>750 | 36.50<br>927 | 44.88<br>1140 | 53.12<br>1350 | 22.00<br>560     | 23.25<br>590 | 25.25<br>640 | 31.88<br>810 | 41.38<br>1050 | 53.50<br>1360 | 61.88<br>1570 | in<br>mm |
| (d)              | 50           | 63           | 76           | 100          | 150          | 199          | 247           | 298           | 47               | 57           | 72           | 98           | 146           | 190           | 238           | mm       |
| D0               | 10<br>240    | 11<br>280    | 13<br>320    | 16<br>400    | 18<br>450    | 20<br>500    | 24<br>600     | 24<br>600     | 11<br>280        | 13<br>320    | 16<br>400    | 18<br>450    | 20<br>500     | 24<br>600     | 24<br>600     | in<br>mm |
| WT<br>(kg)       | 35<br>27     | 50<br>34     | 60<br>42     | 110<br>84    | 230<br>192   | 410<br>350   | 770<br>680    | 1140<br>1030  | 57<br>41         | 82<br>53     | 92<br>58     | 168<br>117   | 365<br>238    | 665<br>538    | 1250<br>1060  | RF<br>BW |