



The Valve Company

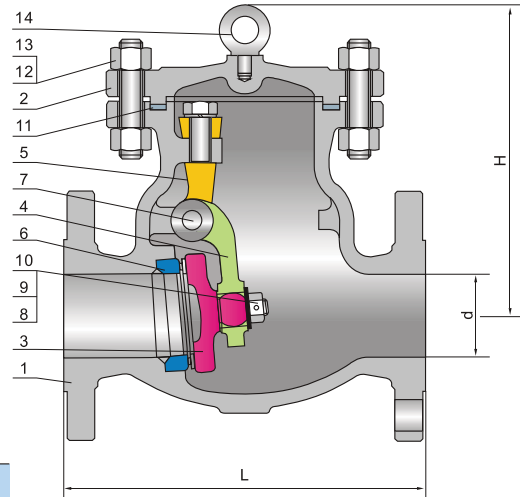
SWING CAST STEEL CHECK VALVE 150LB

Applicable standards:

STEEL CHECK VALVES, API 6D/BS1868
 STEEL CHECK VALVES, ISO 14313
 STEEL VALVES, ASME B16.34
 FACE TO FACE, ASME B16.10
 END FLANGES, ASME B16.5
 BUTTWELDING ENDS, ASME B16.25
 INSPECTION AND TEST, API 598/API 6D

Design description:

BB, BOLTED BONNET CAP
 SWING TYPE, ANTI-ROTATION DISC
 RENEWABLE SEAT RINGS
 NON-PENETRATE DISC SHAFT
 HORIZONTAL OR VERTICAL SERVICE
 FLANGED OR BUTTWELDING ENDS



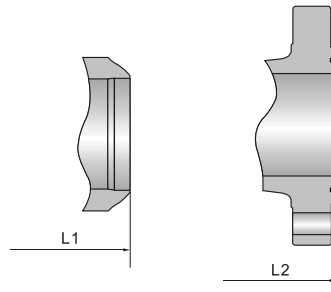
Materials of parts

NO	Part Name	ASTM Material		
		Carbon Steel	1 1/4Cr-1/2Mo	Carbon Steel
1	Body	A216-WCB	A217-WC6	A352-LCB
2	Bonnet Cap	A216-WCB	A217-WC6	A352-LCB
3	Disc ¹⁾	A105-CR13	A182-F11+HF	A350-LF2+CR13
4	Hinge	A216-WCB	A217-WC6	A352-LCB
5	Support	A216-WCB	A217-WC6	A352-LCB
6	Seat Ring	A105+CR13	A182-F11+HF	A350-LF2+CR13
7	Hinge Pin	A276-420	A276-304	A276-420
8	Disc Washer	Carbon Steel	A276-304	Carbon Steel
9	Disc Nut	Carbon Steel	A194-7	Carbon Steel
10	Disc Nut Pin	Carbon Steel	A276-420	Carbon Steel
11	Bonnet Gasket	Spiral Wound (Graphite+304)		
12	Bonnet Stud	A193-B7	A193-B16	A320-L7
13	Bonnet Stud Nut	A194-2H	A194-7	A194-4
14	Eyebolt ²⁾	Carbon Steel		

Note: 1). Cast steel disc for NPS 4 " and above.

2). NPS 6 " & larger.

3). Disc and seat ring may either be solid facing material or a base material equal to or better than the body/bonnet material with facing as shown.



Dimensions data

NPS	2	2 1/2	3	4	6	8	10	12	14	16	18	20	24	26	28	30	36	in
DN	50	65	80	100	150	200	250	300	350	400	450	500	600	650	700	750	900	mm

ANSI Class 150Lb

L/L1 (RF/BW)	8.00	8.50	9.50	11.50	14.00	19.50	24.50	27.50	31.00	34.00	38.50	38.50	51.00	51.00	57.00	60.00	77.00	in
	203	216	241	292	356	495	622	699	787	864	978	978	1295	1295	1448	1524	1956	mm
L2 (RTJ)	8.50	9.00	10.00	12.00	14.50	20.00	25.00	28.00	31.50	34.50	39.00	39.00	51.50	-	-	-	-	in
	216	229	254	305	368	508	635	711	800	876	991	991	1308	-	-	-	-	mm
H	6.00	6.50	6.88	8.00	11.50	13.88	15.38	17.00	18.75	20.62	22.88	24.62	34.75	35.88	37.00	38.62	48.00	in
	152	165	175	204	293	353	390	432	475	525	582	627	883	910	940	980	1220	mm
(d)	50	63	76	100	150	200	250	300	336	387	438	488	590	641	692	743	876	mm
WT (kg)	14	20	25	40	71	118	177	263	353	542	632	855	970	1275	1600	1990	2760	RF
	10	12	17	29	57	96	143	227	295	468	552	755	831	1120	1420	1760	2230	BW