



The Valve Company

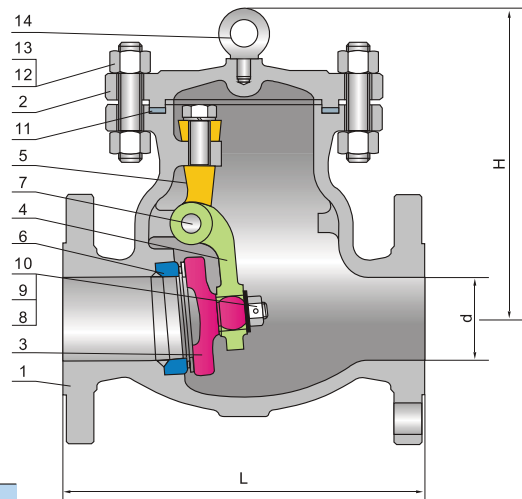
SWING CAST STEEL CHECK VALVE 300LB

Applicable standards:

STEEL CHECK VALVES, API 6D/BS 1868
 STEEL CHECK VALVES, ISO 14313
 STEEL VALVES, ASME B16.34
 FACE TO FACE, ASME B16.10
 END FLANGES, ASME B16.5
 BUTTWELDING ENDS, ASME B16.25
 INSPECTION AND TEST, API 598/API 6D

Design description:

BB, BOLTED BONNET CAP
 SWING TYPE, ANTI-ROTATION DISC
 RENEWABLE SEAT RINGS
 NON-PENETRATE DISC SHAFT
 HORIZONTAL OR VERTICAL SERVICE
 FLANGED OR BUTTWELDING ENDS



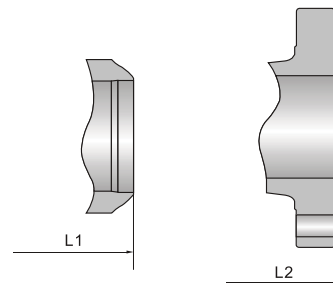
Materials of parts

NO	Part Name	ASTM Material		
		Carbon Steel	1 1/4Cr-1/2Mo	Carbon Steel
1	Body	A216-WCB	A217-WC6	A352-LCB
2	Bonnet Cap	A216-WCB	A217-WC6	A352-LCB
3	Disc ¹⁾	A105-CR13	A182-F11+HF	A350-LF2+CR13
4	Hinge	A216-WCB	A217-WC6	A352-LCB
5	Support	A216-WCB	A217-WC6	A352-LCB
6	Seat Ring	A105+CR13	A182-F11+HF	A350-LF2+CR13
7	Hinge Pin	A276-420	A276-304	A276-420
8	Disc Washer	Carbon Steel	A276-304	Carbon Steel
9	Disc Nut	Carbon Steel	A194-7	Carbon Steel
10	Disc Nut Pin	Carbon Steel	A276-420	Carbon Steel
11	Bonnet Gasket	Spiral Wound (Graphite+304)		
12	Bonnet Stud	A193-B7	A193-B16	A320-L7
13	Bonnet Stud Nut	A194-2H	A194-7	A194-4
14	Eyebolt ²⁾	Carbon Steel		

Note: 1). Cast steel disc for NPS 4 " and above.

2). NPS 6 " & larger.

3). Disc and seat ring may either be solid facing material or a base material equal to or better than the body/bonnet material with facing as shown.



Dimensions data

NPS	2	2 1/2	3	4	6	8	10	12	14	16	18	20	24	26	28	30	36	in
DN	50	65	80	100	150	200	250	300	350	400	450	500	600	650	700	750	900	mm

ANSI Class 300Lb

L/L1 (RF/BW)	10.50	11.50	12.50	14.00	17.50	21.00	24.50	28.00	33.00	34.00	38.50	40.00	53.00	53.00	59.00	62.75	82.00	in
	267	292	318	356	445	533	622	711	838	864	978	1016	1346	1346	1499	1594	2083	mm
L2 (RTJ)	11.12	12.12	13.12	14.62	18.12	21.62	25.12	28.62	33.62	34.62	39.12	40.75	53.88	54.00	60.00	63.75	—	in
	283	308	333	371	460	549	638	727	854	879	994	1035	1368	1372	1524	1619	—	mm
H	6.00	6.50	6.88	8.00	11.50	13.88	15.38	17.00	18.75	20.62	22.88	24.62	34.75	35.88	37.00	38.62	48.00	in
	152	165	175	204	292	353	390	432	475	525	582	627	883	910	940	980	1220	mm
(d)	50	63	76	100	150	200	250	300	336	387	431	482	584	635	686	737	876	mm
WT (kg)	16	23	29	46	82	136	204	302	405	625	730	985	1115	1465	1840	2290	3180	RF
	11	13	18	31	61	103	155	245	315	503	593	812	895	1205	1525	1895	2395	BW