



The Valve Company

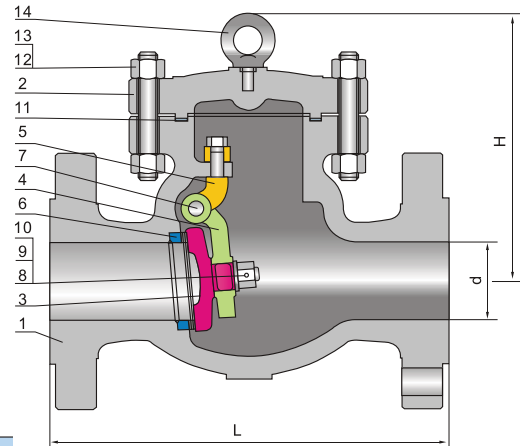
SWING CAST STEEL CHECK VALVE 600LB

Applicable standards:

STEEL CHECK VALVES, API6D/BS1868
 STEEL CHECK VALVES, ISO 14313
 STEEL VALVES, ASME B16.34
 FACE TO FACE, ASME B16.10
 END FLANGES, ASME B16.5
 BUTTWELDING ENDS, ASME B16.25
 INSPECTION AND TEST, API 598/API 6D

Design description:

BB, BOLTED BONNET CAP
 SWING TYPE, ANTI-ROTATION DISC
 RENEWABLE SEAT RINGS
 NON-PENETRATE DISC SHAFT
 HORIZONTAL OR VERTICAL SERVICE
 FLANGED OR BUTTWELDING ENDS

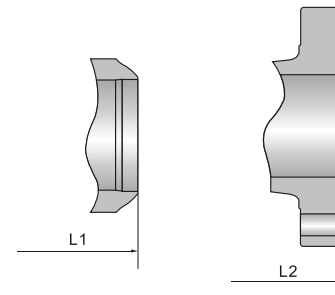


Materials of parts

NO	Part Name	ASTM Material		
		Carbon Steel	1 1/4Cr-1/2Mo	Carbon Steel
1	Body	A216-WCB	A217-WC6	A352-LCB
2	Bonnet Cap	A216-WCB	A217-WC6	A352-LCB
3	Disc ¹⁾	A105-CR13	A182-F11+HF	A350-LF2+CR13
4	Hinge	A216-WCB	A217-WC6	A352-LCB
5	Support	A216-WCB	A217-WC6	A352-LCB
6	Seat Ring	A105+CR13	A182-F11+HF	A350-LF2+CR13
7	Hinge Pin	A276-420	A276-304	A276-420
8	Disc Washer	Carbon Steel	A276-304	Carbon Steel
9	Disc Nut	Carbon Steel	A194-7	Carbon Steel
10	Disc Nut Pin	Carbon Steel	A276-420	Carbon Steel
11	Bonnet Gasket	Spiral Wound (Graphite+304)		
12	Bonnet Stud	A193-B7	A193-B16	A320-L7
13	Bonnet Stud Nut	A194-2H	A194-7	A194-4
14	Eyebolt ²⁾	Carbon Steel		

Note: 1), NPS 6" & larger.

2), Disc and seat ring may either be solid facing material or a base material equal to or better than the body/bonnet material with facing as shown.



Dimensions data

NPS DN	2 50	2 1/2 65	3 80	4 100	6 150	8 200	10 250	12 300	14 350	16 400	18 450	20 500	24 600	26 650	28 700	30 750	in mm
-----------	---------	-------------	---------	----------	----------	----------	-----------	-----------	-----------	-----------	-----------	-----------	-----------	-----------	-----------	-----------	----------

ANSI Class 600Lb

L/L1 (RF/BW)	11.50 292	13.00 330	14.00 356	17.00 432	22.00 559	26.00 660	31.00 787	33.00 838	35.00 889	39.00 991	43.00 1092	47.00 1194	55.00 1397	57.00 1448	62.99 1600	65.00 1651	in mm
L2 (RTJ)	11.62 295	13.12 333	14.12 359	17.12 435	22.12 562	26.12 664	31.12 791	33.12 841	35.12 892	39.12 994	43.12 1095	47.25 1200	55.38 1407	57.51 1461	63.50 1613	65.51 1664	in mm
H	7.50 190	8.00 205	8.75 222	10.00 255	14.50 368	17.50 445	19.25 490	21.38 540	23.38 595	25.75 655	28.75 730	31.00 785	43.50 1105	40.00 1016	40.00 1066	45.98 1168	in mm
(d)	50	63	76	100	150	199	247	298	326	374	419	463	558	603	648	695	mm
WT (kg)	24 16	35 19	44 26	70 44	125 87	207 147	310 220	460 350	615 452	945 720	1105 845	1495 1160	1695 1280	3800 3010	4600 3724	5500 4528	RF BW