



The Valve Company

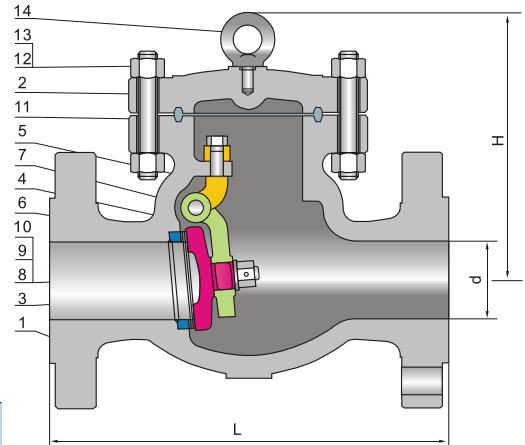
SWING CAST STEEL CHECK VALVE 900Lb

Applicable standards:

STEEL CHECK VALVES, API6D/BS1868
 STEEL CHECK VALVES, ISO 14313
 STEEL VALVES, ASME B16.34
 FACE TO FACE, ASME B16.10
 END FLANGES, ASME B16.5
 BUTTWELDING ENDS, ASME B16.25
 INSPECTION AND TEST, API 598/API 6D

Design description:

BB, BOLTED BONNET CAP
 SWING TYPE, ANTI-ROTATION DISC
 RENEWABLE SEAT RINGS
 NON-PENETRATE DISC SHAFT
 HORIZONTAL OR VERTICAL SERVICE
 FLANGED OR BUTTWELDING ENDS



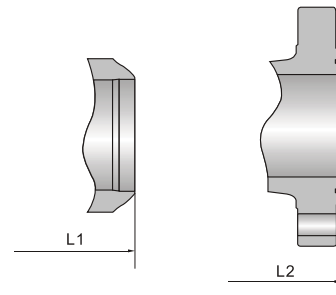
Materials of parts

NO	Part Name	ASTM Material		
		Carbon Steel	1 1/4Cr-1/2Mo	Carbon Steel
1	Body	A216-WCB	A217-WC6	A352-LCB
2	Bonnet Cap	A216-WCB	A217-WC6	A352-LCB
3	Disc ¹⁾	A216-WCB+Cr13	A217-WC6+HF	A352-LCB+CR13
4	Hinge	A216-WCB	A217-WC6	A352-LCB
5	Support	A216-WCB	A217-WC6	A352-LCB
6	Seat Ring	A105+HF	A182-F11+HF	A350-LF2+HF
7	Hinge Pin	A276-420	A276-304	A276-420
8	Disc Washer	Carbon Steel	A276-304	Carbon Steel
9	Disc Nut	Carbon Steel	A194-7	Carbon Steel
10	Disc Nut Pin	Carbon Steel	A276-420	Carbon Steel
11	Bonnet Gasket	Steel Ring	304SS Ring	Steel Ring
12	Bonnet Stud	A193-B7	A193-B16	A320-L7
13	Bonnet Stud Nut	A194-2H	A194-7	A194-4
14	Eyebolt ²⁾		Carbon Steel	

Note: 1). Cast steel disc for NPS 4 " and above.

2). NPS 6 " & larger.

3). Disc and seat ring may either be solid facing material or a base material equal to or better than the body/bonnet material with facing as shown.



Dimensions data

NPS DN	2 50	2 1/2 65	3 80	4 100	6 150	8 200	10 250	12 300	14 350	16 400	18 450	20 500	in mm
-----------	---------	-------------	---------	----------	----------	----------	-----------	-----------	-----------	-----------	-----------	-----------	----------

ANSI Class 900Lb

L/L1 (RF/BW)	14.50 368	16.50 419	15.50 381	18.00 457	24.00 610	29.00 737	33.00 838	38.00 965	40.50 1029	44.50 1130	48.00 1219	52.00 1321	in mm
L2 (RTJ)	14.62 371	16.62 422	15.12 384	18.12 460	24.12 613	29.12 740	33.12 841	38.12 968	40.88 1038	44.88 1140	48.50 1232	52.50 1334	in mm
H	9.50 240	10.00 256	11.00 278	12.50 320	18.12 460	22.00 560	24.00 610	26.50 675	29.38 745	32.00 815	33.50 850	38.75 985	in mm
(d)	47	57	72	98	146	190	238	282	311	355	400	444	mm
WT (kg)	37 21	54 25	68 34	109 58	195 115	321 194	481 290	711 461	956 597	1468 950	1870 1210	2316 1533	RF BW