



The Valve Company

CAST STEEL Y-STRAINER

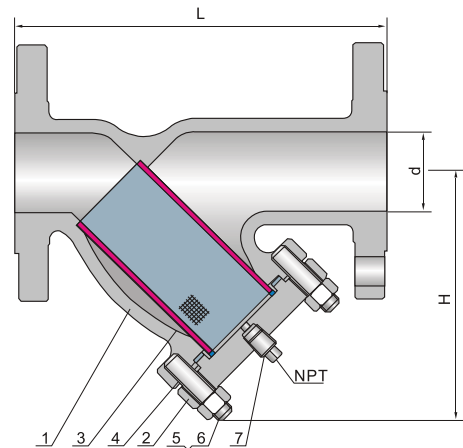
150LB/300LB

Applicable standards:

STEEL VALVES, ASME B16.34
 FACE TO FACE, ASME B16.10
 END FLANGES, ASME B16.5
 BUTTWELDING ENDS, ASME B16.25
 INSPECTION AND TEST, API 598

Design description:

Y-PATTERN TYPE
 BOLTED BONNET CAP WITH DRAIN PLUG
 PERFORATED STAINLESS STEEL SCREEN
 STRAINER DENSITY 100 MESH DESIGN
 FULL RANGE OF STRAINER DENSITY
 RENEWABLE STRAINER DENSITY
 FLANGED OR BUTTWELDING ENDS

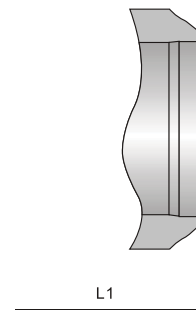


Materials of parts

NO	Part Name	ASTM Material		
		Carbon Steel	18Cr-9Ni-2Mo	Carbon Steel
1	Body	A216-WCB	A351-CF8M	A352-LCB
2	Bonnet Cap	A216-WCB	A351-CF8M	A352-LCB
3	Screen	A240-304	A240-316	A240-304
4	Bonnet Gasket	Graphite+304	PTFE	Graphite+304 ¹⁾
5	Bonnet Stud	A193-b7	A193-B8	A320-L7
6	Bonnet Stud Nut	A194-2H	A194-8	A194-7
7	Plug	A276-410	A276-316	A276-410

Percentage Open Area

MEH	A SWG	B m/m	C m/m	D %
5	20	0.914	4.166	67.3
10	22	0.711	1.829	51.8
20	28	0.356	0.914	51.8
30	32	0.274	0.572	45.7
40	36	0.193	0.442	48.4
50	37	0.172	0.336	43.6
60	38	0.152	0.271	41.0
80	40	0.122	0.195	37.8
100	42	0.102	0.152	35.8
120	43	0.092	0.119	31.8
150	45 1/2	0.066	0.103	37.1
180	46 1/2	0.053	0.088	38.9
200	47	0.051	0.076	35.8
250	48	0.040	0.062	37.7
300	48	0.039	0.044	27.6



Even the "MESH" is same;
 OPEN AREA is always same
 due to the diameter of wire.
 The details of wire as follow

A: Number of Wire
 B: Diameter of Wire
 C: Width of Opening
 D: Percentage of OPEN AR

Dimensions date

NPS	1/2	3/4	1	1 1/2	2	2 1/2	3	4	6	8	10	12	1/2	3/4	1	1 1/2	2	2 1/2	3	4	6	8	10	12	in
DN	15	20	25	40	50	65	80	100	150	200	250	300	15	20	25	40	50	65	80	100	150	200	250	300	mm
	ANSI Class 150Lb												ANSI Class 300Lb												
L/L1 (RF/BW)	5.50	6.00	6.50	8.00	9.00	11.00	12.50	14.50	18.50	23.50	26.50	30.50	5.50	6.00	6.50	8.00	9.00	11.00	12.50	14.50	18.50	23.50	26.50	30.50	in
	140	152	165	203	229	279	318	368	470	597	673	775	140	152	165	203	229	279	318	368	470	597	673	775	mm
H	3.38	4.12	4.50	6.12	7.12	10.25	11.50	12.75	17.62	21.00	27.12	30.75	3.38	4.12	4.50	6.12	7.12	10.25	11.50	12.75	17.62	21.00	27.12	30.75	in
	87	105	114	156	181	259	293	324	448	535	690	780	87	105	114	156	181	259	293	324	448	535	690	780	mm
PLUG (NPT)	1/8	1/2	1/2	1/2	1/2	3/4	3/4	3/4	3/4	3/4	1	1	1/8	1/2	1/2	1/2	1/2	3/4	3/4	3/4	3/4	3/4	1	1	in
	mm	mm	mm	mm	mm	mm	mm	mm	mm	mm	mm	mm	mm	mm	mm	mm	mm	mm	mm	mm	mm	mm	mm	mm	mm
WT (kg)	2.1	2.3	3.1	6.2	9.7	23.5	28	37	67	91	135	168	2.5	3.4	4.2	8.6	11.2	29	38	57	105	176	230	360	R F
	0.8	1.2	1.4	3.7	6.7	16.5	22	28	59	798	113	151	1.2	1.8	2.3	4.8	8.2	20	27	39	74	131	164	268	BW