



The Valve Company

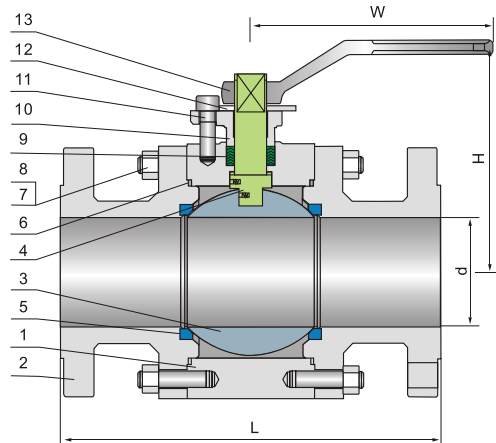
FLOATING FORGED STEEL BALL VALVE 600LB

Applicable standards:

STEEL BALL VALVES, API 608/API 6D
 STEEL BALL VALVES, ISO 10434/ISO 14313
 FIRE DURABLE, API 607
 ANTI STATIC, API 608
 STEEL VALVES, ASME B 16.34
 FACE TO FACE, ASME B 16.10
 END FLANGES, ASME B 16.5
 BUTTWELDING ENDS, ASME B 16.25
 INSPECTION AND TEST, API 598/API 6D

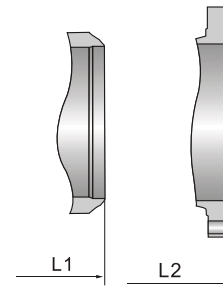
Design description:

FULL PORT DESIGN
 BB, BOLTED BONNET, SPLIT BODY
 FLOATING BALL TYPE
 BLOW-OUT PROOF STEM
 FIRE DURABLE CONSTRUCTION
 ANTI STATIC DEVICE
 STOPPER DEVICE
 ISO5211 MOUNTING PAD
 FLANGED OR BUTT WELDING ENDS
 AVAILABLE WITH BG OPERATOR



Materials of parts

| No | Part Name | ASTM Material | | |
|----|-----------------|----------------------------|-----------------|----------------------------|
| | | Carbon Steel | 18Cr-9Ni-2Mo | Carbon Steel |
| 1 | Body | A216-WCB | A351-CF8M | A352-LCB |
| 2 | Bonnet | A216-WCB | A351-CF8M | A352-LCB |
| 3 | Ball | A182-F304 ¹⁾ | A182-F316 | A182-F304 ¹⁾ |
| 4 | Stem | A276-304 | A276-316 | A276-304 |
| 5 | Seat Ring | R.PTFE | | |
| 6 | Bonnet Gasket | Graphite+304 ²⁾ | PTFE | Graphite+304 ²⁾ |
| 7 | Bonnet Stud | A193-B7 | A193-B8 | A320-L7 |
| 8 | Bonnet Stud Nut | A194-2H | A194-8 | A194-4 |
| 9 | Packing | PTFE | | |
| 10 | Gland | A105 | A182-F316 | A350-LF2 |
| 11 | Gland Bolt | A193-B7 | A193-B8 | A193-B7 |
| 12 | Stop Plate | Carbon Steel | Carbon Steel+Zn | Carbon Steel |
| 13 | Handle | Carbon Steel | | |



Note: 1). A105+ENP optional
 2). Spiral wound construction.

Dimensions data

| NPS | 1/2 | 3/4 | 1 | 1 1/2 | 2 | 2 1/2 | 3 | 4 | 6 | in |
|-----|-----|-----|----|-------|----|-------|----|-----|-----|----|
| DN | 15 | 20 | 25 | 40 | 50 | 40 | 80 | 100 | 150 | mm |

ANSI Class 600Lb

| | | | | | | | | | | |
|------|------|------|------|------|-------|-------|-------|-------|-------|----|
| L | 6.50 | 7.50 | 8.50 | 9.50 | 11.50 | 13.00 | 14.00 | 17.00 | 22.00 | in |
| (RF) | 165 | 190 | 216 | 241 | 292 | 330 | 356 | 432 | 559 | mm |
| L1 | - | - | - | - | 11.62 | 13.12 | 14.12 | 17.12 | 22.12 | in |
| (BW) | - | - | - | - | 295 | 333 | 359 | 435 | 562 | mm |
| H | 2.25 | 2.25 | 2.62 | 3.50 | 4.12 | 6.25 | 7.50 | 9.75 | 10.38 | in |
| (d) | 58 | 58 | 68 | 89 | 105 | 158 | 190 | 247 | 262 | mm |
| (d) | 13 | 19 | 25 | 32 | 49 | 62 | 74 | 100 | 150 | mm |
| W | 8 | 12 | 12 | 16 | 16 | 24 | 24 | 24 | 32 | in |
| (d) | 200 | 300 | 300 | 400 | 400 | 600 | 600 | 600 | 800 | mm |
| WT | 4.5 | 5.5 | 8 | 12.5 | 18 | 27 | 35 | 61 | 172 | RF |
| (kg) | 3.8 | 4.1 | 5.6 | 7 | 12 | 18 | 23 | 43 | 139 | BW |