



The Valve Company

# FORGED STEEL CHECK VALVE

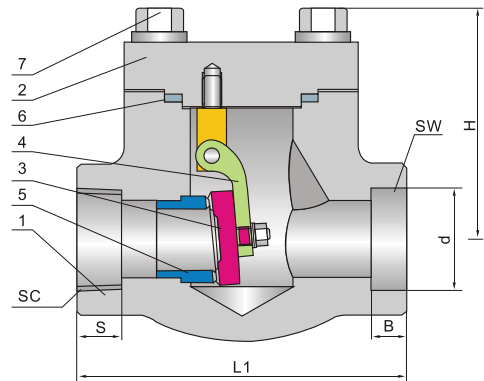
## 800LB

### Applicable standards:

STEEL CHECK VALVES, API 602  
 STEEL VALVES, ASME B16.34  
 END TO END, MANUFACTURER STANDARD  
 FACE TO FACE, FLANGED, ASME B 16.11  
 END FLANGES, ASME B16.5  
 BUTTWELDING ENDS, ASME B16.25  
 SOCKET-WELDING ENDS, ASME B16.11  
 SOREWED ENDS, ASME B 1.20.1  
 INSPECTION AND TEST, API 598

### Design description:

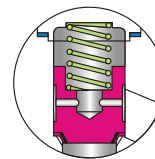
BOLTED BONNET CAP  
 CHOICE OF WB, WELDING BONNET  
 LIFT OR SWING TYPE  
 SEAT RINGS INTEGRAL WITH BODY OF LIFT  
 HORIZONTAL OR VERTICAL SERVICE  
 SOCKET WELD ENDS  
 SW, SOCKET-WELDING ENDS  
 SC, SCREWED ENDS  
 BW, BUTTWELDING ENDS  
 FLANGED ENDS



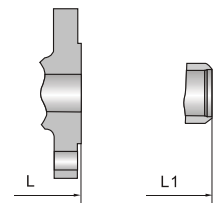
### Materials of parts

NO	Part Name	ASTM Material		
		C-Si	16Cr-12Ni-2Mo	1 1/4Cr-1/2Mo-Si
1	Body	A105	A182-F316	A182-F11
2	Bonnet	A105	A182-F316	A182-F11
3	Disc	A182-F6a	A182-F316	A182-F6a+HF
4	Hinge	A276-410	A276-316	A276-410
5	Seat <sup>1)</sup>	A276-410	A182-F316+HF	A276-410+HF
6	Bonnet Gasket <sup>2)</sup>	Graphite+304	Graphite+316	Graphite+304
7	Bonnet Stud	A193-B7	A193-B8M	A193-B16

Note: 1). Lift type check valve seat ring integral with body.  
 2). Spiral wound graphite.



Lift Type



150-600Lb

### Dimensions data

NPS DN	Unit	L1 <sup>1)</sup>	L (Flanged Ends)			d	SW		SC	H (Open)	WT <sup>2)</sup> (Kg)	
			150Lb	300Lb	600Lb		D	B				
3/8	in	3.12	4.00	6.00	6.50	0.354	0.693	0.378	3/8	0.540	2.40	3.8/2.8
10	mm	79	102	152	165	9	17.6	9.6		13.6	61	
1/2	in	3.12	4.25	6.00	6.50	0.354	0.858	0.378	1/2	0.535	2.40	5.6/3.4
15	mm	79	108	152	165	10	21.8	9.6		13.6	61	
3/4	in	3.62	4.62	7.00	7.50	0.512	1.067	0.500	3/4	0.547	2.40	7.8/4.7
20	mm	92	117	178	190	13	27.1	12.7		13.9	61	
1	in	4.38	5.00	8.00	8.50	0.689	1.331	0.500	1	0.681	3.07	12.5/9.2
25	mm	111	127	203	216	17.5	33.8	12.7		17.3	78	
1 1/4	in	4.75	5.50	8.50	9.00	0.906	1.677	0.500	1 1/4	0.709	3.31	17/10.5
32	mm	120	140	216	229	23	42.6	12.7		18	84	
1 1/2	in	4.75	6.50	9.00	9.50	1.142	1.917	0.500	1 1/2	0.724	10.25	23.5/13.3
40	mm	120	165	229	241	30	48.7	12.7		18.4	3.98	
2	in	5.50	8.00	10.50	11.50	1.378	2.406	0.626	2	0.756	4.72	38.8/18.9
50	mm	140	203	267	292	35	61.1	15.9		19.2	120	

Notes: 1) BW, SW or SC.  
 2) 600Lb-RF/800Lb-(BW/SW/SC).