



The Valve Company

FORGED STEEL GATE VALVE

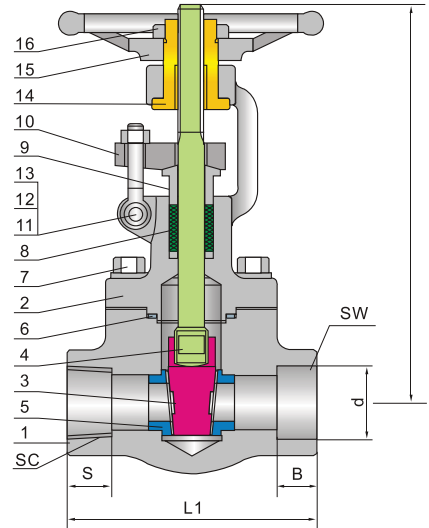
800LB

Applicable standards:

STEEL GATE VALVES, API 602
 STEEL VALVES, ASME B16.34
 END TO END, MANUFACTURER STANDARD
 FACE TO FACE, FLANGED, ASME B 16.11
 END FLANGES, ASME B16.5
 BUTTWELDING ENDS, ASME B16.25
 SOCKET-WELDING ENDS, ASME B16.11
 SOREWED ENDS, ASME B 1.20.1
 INSPECTION AND TEST, API 598

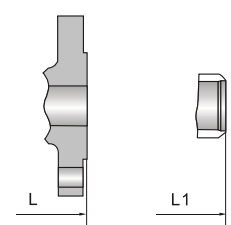
Design description:

OUTSIDE SCREW AND YOKE (OS&Y)
 BOLTED BONNET
 CHOICE OF WB, WELDING BONNET
 SINGLE WEDGE, FULLY GUIDED
 RENEWABLE SEAT RINGS
 YOKE INTEGRAL WITH BONNET
 RISING STEM AND NON-RISING HANDWHEEL
 SW, SOCKET-WELDING ENDS
 SC, SCREWED ENDS
 BW, BUTTWELDING ENDS
 FLANGED ENDS



Materials of parts

No	Part Name	ASTM Material		
		C-Si	16Cr-12Ni-2Mo	1 1/4Cr-1/2Mo-Si
1	Body	A105	A182-F316	A182-F11
2	Bonnet	A105	A182-F316	A182-F11
3	Wedge	A182-F6a	A182-F316	A182-F6a+HF
4	Stem	A276-410	A276-316	A276-410
5	Seat Ring	A276-410	A182-F316	A276-410+HF
6	Bonnet Gasket ¹⁾	Graphite+304	Graphite+316	Graphite+304
7	Bonnet Stud	A193-B7	A193-B8M	A193-B16
8	Packing	Graphite		
9	Gland	A276-410	A276-316	A276-410
10	Gland Flange	A105	A182-F316	A182-F11
11	Eyebolt Pin	A276-410	A276-316	A276-410
12	Eyebolt	A193-B7	A193-B8M	A193-B16
13	Eyebolt Nut	A194-2H	A194-8M	A194-2H
14	Yokesleeve	A276-410		
15	Handwheel	Malleable Iron		
16	Handwheel Nut	Carbon Steel		



150-600Lb

Note: 1). Spiral wound construction.

Dimensions data

NPS DN	Unit	L1 ¹⁾	L (Flanged Ends)			d	SW	SC	H (Open)	D0	WT ²⁾ (Kg)		
			150Lb	300Lb	600Lb								
3/8	in	3.12	4.00	5.50	6.50	0.394	0.693	0.378	3/8	0.540	6.00	4.00	4.5/4
10	mm	79	102	140	165	10	17.6	9.6		13.6	151	100	
1/2	in	3.12	4.25	5.50	6.50	0.394	0.858	0.378	1/2	0.535	6.00	4.00	5.1/4
15	mm	79	108	140	165	10	21.8	9.6		13.6	151	100	
3/4	in	2.63	4.62	6.00	7.50	0.531	1.067	0.500	3/4	0.547	6.25	4.00	8.2/4.3
20	mm	92	117	152	190	13.5	27.1	12.7		13.9	158	100	
1	in	4.38	5.00	6.50	8.50	0.709	1.331	0.500	1	0.681	7.25	5.00	10.5/6.6
25	mm	111	127	165	216	18	33.8	12.7		17.3	185	125	
1 1/4	in	4.75	5.50	7.00	9.00	0.945	1.677	0.500	1 1/4	0.709	9.38	6.25	12.4/9.5
32	mm	120	140	178	229	24	42.6	12.7		18	239	160	
1 1/2	in	4.75	6.50	7.50	9.50	1.181	1.917	0.500	1 1/2	0.724	9.50	6.25	20.1/11
40	mm	120	165	190	241	30	48.7	12.7		18.4	243	160	
2	in	5.50	7.00	8.50	11.50	1.437	2.406	0.626	2	0.756	11.00	7.00	28/14.5
50	mm	140	178	216	292	36.5	61.1	15.9		19.2	279	180	

Notes: 1) BW, SW or SC.
 2) 600Lb-RF/800Lb-(BW/SW/SC).