



The Valve Company

PRESSURE SEAL CAST STEEL GLOBE VALVE 1500lb/2500lb

Applicable standards:

STEEL GLOBE VALVES, BS BS1873/API600
STEEL VALVES, ASME B16.34
FACE TO FACE, ASME B16.10
END FLANGES, ASME B16.5
BUTTWELDING ENDS, ASME B16.25
INSPECTION AND TEST, API 598

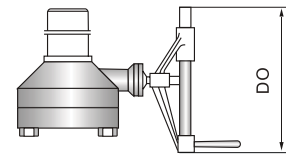
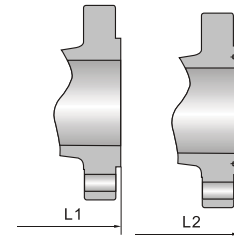
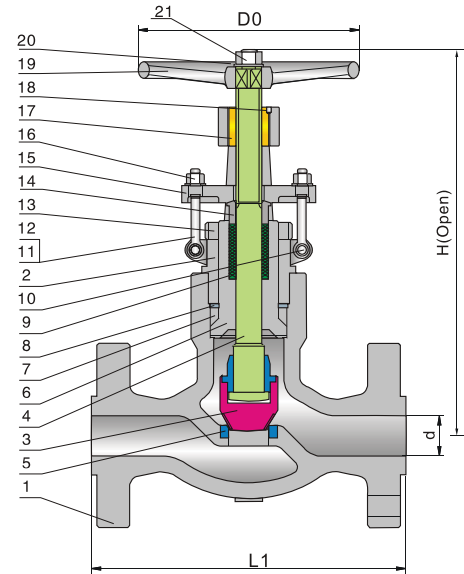
Design description:

STRAIGHT PATTERN BODY DESIGN
OS & Y, OUTSIDE SCREW AND YOKE
PSB, PRESSURE SEAL BONNET
YOKE INTEGRAL WITH BONNET
RISING STEM AND HANDWHEEL
LOOSE DISC, CHOICE OF PLUG OR BALL
RENEWABLE SEAT RING
IMPACT HANDWHEEL FOR 10" & ABOVE
HORIZONTAL SERVICE
FLANGED OR BUTTWELDING ENDS
AVAILABLE WITH BG OPERATOR

Materials of parts

NO	Part Name	ASTM Material		
		Carbon Steel	1 1/4Cr-1/2Mo	18Cr-9Ni-2Mo
1	Body	A216-WCB	A217-WC6	A351-CF8M
2	Yoke	A216-WCB	A217-WC6	A351-CF8M
3	Disc	A216-WCB+HF	A217-WC6+HF	A351-CF8M+HF
4	Stem	A182-F6a	CR-MO-V	A182-316
5	Seat Ring	A105+HF	A182-F11+HF	A240-316+HF
6	Bonnet	A105	A182-F11	A240-316
7	Bonnet Gasket ¹⁾	304+Graphite		
8	Adapter Ring	Carbon Steel	A276-420	A276-316
9	Packing	Graphite		
10	Eyebolt Pin	Carbon Steel	A276-420	A276-316
11	Eyebolt	Carbon Steel	A193-B7	A193-B8
12	Eyebolt Nut	Carbon Steel	A194-2H	A194-8
13	Locking Nut	Carbon Steel	Alloy Steel	Stainless Steel
14	Gland	A276-420	A276-304	A276-316
15	Gland Flange	A216-WCB	A217-WC6	A351-CF8M
16	Washer	Carbon Steel		
17	Stem Nut	Aluminum-Bronze ²⁾		
18	Bolt	Carbon Steel		
19	Handwheel	Malleable Iron		
20	Handwheel Washer	Carbon Steel		
21	Handwheel Nut	A194-2H		

Note: 1). Graphite optional
2). Ductile Ni-Resist optional
3). Wedge and seat ring may either be solid facing material or a base material equal to or better than the body/bonnet material with facing as shown.



Dimensions data

NPS DN	2 50	2 1/2 65	3 80	4 100	6 150	8 200	2 50	2 1/2 65	3 80	4 100	6 150	in mm
ANSI Class 1500Lb							ANSI Class 2500Lb					
L1 (BW)	8.50 216	10.00 254	12.00 305	16.00 406	22.00 559	28.00 711	11.00 279	13.00 330	14.50 368	18.00 457	24.00 610	in mm
L (RF)	14.50 368	16.50 419	18.50 470	21.50 546	27.75 705	32.75 832	17.75 451	20.00 508	22.75 578	26.50 673	36.00 914	in mm
L2 (RTJ)	14.62 371	16.62 422	18.62 473	21.62 549	28.00 711	33.12 842	17.88 454	20.50 514	23.00 584	26.88 683	36.50 927	in mm
H (OPEN)	22 557	22 557	24.38 620	30 760	44.62 1135	54.75 1390	23.38 595	23.38 595	28 710	32.25 820	49.62 1260	in mm
D0	16 400	18 450	20 500	24 600	28 700	36 900	16 400	20 500	24 600	28 700	36 900	in mm
WT (kg)	57 86	65 112	90 162	190 240	450 580	730 950	65 115	78 136	125 205	155 275	480 860	BW RF/RTJ