



The Valve Company

PRESSURE SEAL CAST STEEL GLOBE VALVE 900Lb

Applicable standards:

STEEL GLOBE VALVES, BS BS1873/API600
STEEL VALVES, ASME B16.34
FACE TO FACE, ASME B16.10
END FLANGES, ASME B16.5
BUTTWELDING ENDS, ASME B16.25
INSPECTION AND TEST, API 598

Design description:

STRAIGHT PATTERN BODY DESIGN
OS & Y, OUTSIDE SCREW AND YOKE
PSB, PRESSURE SEAL BONNET
YOKE INTEGRAL WITH BONNET
RISING STEM AND HANDWHEEL
LOOSE DISC, CHOICE OF PLUG OR BALL
RENEWABLE SEAT RING
IMPACT HANDWHEEL FOR 10" & ABOVE
HORIZONTAL SERVICE
FLANGED OR BUTTWELDING ENDS
AVAILABLE WITH BG OPERATOR

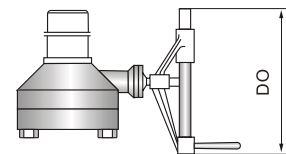
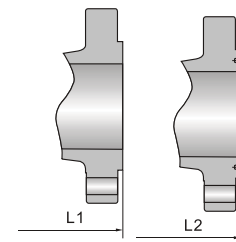
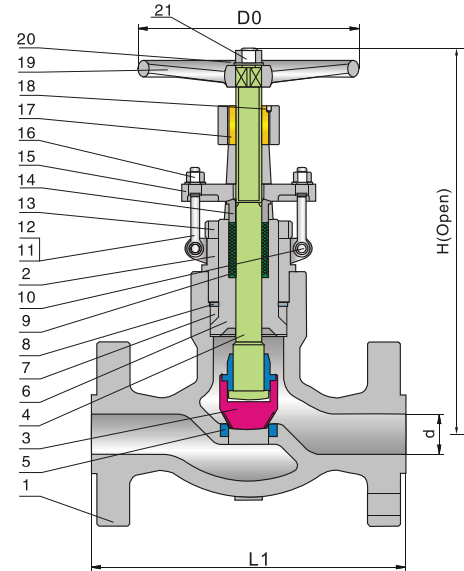
Materials of parts

NO	Part Name	ASTM Material		
		Carbon Steel	1 $\frac{1}{4}$ Cr- $\frac{1}{2}$ Mo	18Cr-9Ni-2Mo
1	Body	A216-WCB	A217-WC6	A351-CF8M
2	Yoke	A216-WCB	A217-WC6	A351-CF8M
3	Disc	A216-WCB+HF	A217-WC6+HF	A351-CF8M+HF
4	Stem	A182-F6a	CR-MO-V	A182-316
5	Seat Ring	A105+HF	A182-F11+HF	A240-316+HF
6	Bonnet	A105	A182-F11	A240-316
7	Bonnet Gasket ¹⁾	304+Graphite		
8	Adapter Ring	Carbon Steel	A276-420	A276-316
9	Packing	Graphite		
10	Eyebolt Pin	Carbon Steel	A276-420	A276-316
11	Eyebolt	Carbon Steel	A193-B7	A193-B8
12	Eyebolt Nut	Carbon Steel	A194-2H	A194-8
13	Locking Nut	Carbon Steel	Alloy Steel	Stainless Steel
14	Gland	A276-420	A276-304	A276-316
15	Gland Flange	A216-WCB	A217-WC6	A351-CF8M
16	Washer	Carbon Steel		
17	Stem Nut	Aluminum-Bronze ²⁾		
18	Bolt	Carbon Steel		
19	Handwheel	Malleable Iron		
20	Handwheel Washer	Carbon Steel		
21	Handwheel Nut	A194-2H		

Note: 1). Graphite optional

2). Ductile Ni-Resist optional

3). Wedge and seat ring may either be solid facing material or a base material equal to or better than the body/bonnet material with facing as shown.



Dimensions data

NPS	2	2 $\frac{1}{2}$	3	4	6	8	10	12	in
DN	50	65	80	100	150	200	250	300	mm

ANSI Class 900Lb

L1 (BW)	8.50 216	10.00 254	12.00 305	14.00 356	20.00 508	26.00 660	31.00 787	36.00 914	in mm
L (RF)	14.50 368	16.50 419	15.00 381	18.00 457	24.00 610	29.00 737	33.00 838	38.00 965	in mm
L2 (RTJ)	14.62 371	16.62 422	15.12 384	18.12 460	24.12 613	29.12 740	33.12 841	38.12 968	in mm
H (OPEN)	22 557	22 557	22 557	27 685	36.38 925	43.38 1100	50.62 1285	57 1450	in mm
D0	16 400	16 400	16 400	16 400	28 700	28 700	36 900	36 900	in mm
WT (kg)	46 75	53 82	68 95	100 135	270 355	450 680	740 1050	1150 1480	BW RF/RTJ