



The Valve Company

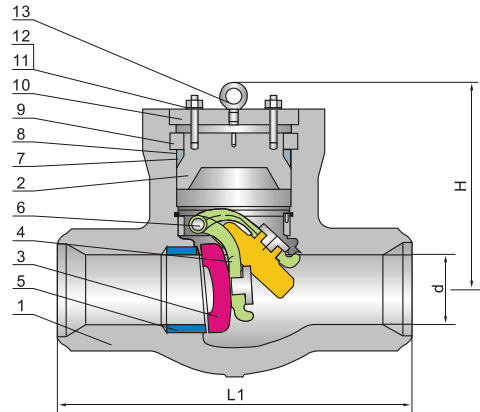
PRESSURE SEAL CAST STEEL SWING CHECK VALVE 1500Lb

Applicable standards:

STEEL CHECK VALVES,API6D/BS1868
STEEL CHECK VALVES,ISO 14313
STEEL VALVES,ASME B16.34
FACE TO FACE,ASME B16.10
END FLANGES,ASME B16.5
BUTTWELDING ENDS,ASME B16.25
INSPECTION AND TEST,API 598/API 6D

Design description:

PRESSURE SEAL BONNET CAP
SWING TYPE,ANTI-ROTATION DISC
RENEWABLE SEAT RINGS
NON-PENETRATE DISC SHAFT
HORIZONTAL OR VERTICAL SERVICE
FLANGED OR BUTTWELDING ENDS

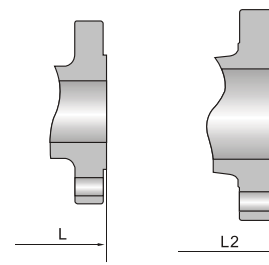


Materials of parts

NO	Part Name	ASTM Material		
		Carbon Steel	1 $\frac{1}{4}$ Cr- $\frac{1}{2}$ Mo	Carbon Steel
1	Body	A216-WCB	A217-WC6	A351-CF8M
2	Bonnet Cap	A216-WCB	A217-WC6	A351-CF8M
3	Disc	A105+HF	A182-F11+HF	A351-CF8M+HF
4	Hinge	A216-WCB	A217-WC6	A351-CF8M
5	Seat Ring	A105+HF	A182-F11+HF	A240-316+HF
6	Hinge Pin	A276-420	A276-304	A276-316
7	Bonnet Gasket ¹⁾	Steel Ring	304SS Ring	316SS Ring
8	Adapter Ring	Carbon Steel	A276-420	A276-316
9	Retainer	Carbon Steel	A276-420	A276-316
10	Bonnet Clamp	Carbon Steel	Alloy Steel	Stainless Steel
11	Bonnet Stud	A193-B7	A193-B7	A193-B8M
12	Bonnet Stud Nut	A194-2H	A194-2H	A194-8M
13	Eyebolt		Carbon Steel	

Note:1).Graphite optional

2).Disc and seat ring may either be solid facing material or a base material equal to or better than the body/bonnet material with facing as shown.



Dimensions data

NPS DN	2 50	2 $\frac{1}{2}$ 65	3 80	4 100	6 150	8 200	10 250	12 300	14 350	16 400	18 450	20 500	24 600	in mm
-----------	---------	-----------------------	---------	----------	----------	----------	-----------	-----------	-----------	-----------	-----------	-----------	-----------	----------

ANSI Class 1500Lb

L1 (BW)	8.50 216	10.00 254	12.00 305	16.00 406	22.00 559	28.00 711	34.00 864	39.00 991	42.00 1067	42.99 1092	47.99 1219	52.00 1321	60.98 1549	in mm
L (RF)	14.50 368	16.50 419	18.50 470	21.50 546	27.75 705	32.75 832	39 991	44.5 1130	49.5 1257	44.48 1130	47.99 1219	52.00 1321	60.98 1549	in mm
L2 (RTJ)	14.62 371	16.62 422	18.62 473	21.62 549	28.00 711	33.12 842	39.38 1000	45.12 1146	50.25 1276	44.88 1140	48.50 1232	52.51 1334	61.73 1568	in mm
H	9.50 240	9.50 240	11.88 300	15.38 390	18.00 455	20.62 525	24.00 610	27.00 685	30.00 760	30.00 762	33.97 863	36.96 939	41.96 1066	in mm
(d)	47	57	69	92	136	177	222	263	288	330	371	415	498	mm
WT (kg)	22 44	37 61	45 110	78 155	245 378	530 675	815 1160	1213 1710	1555 2315	3250 2200	3960 2600	4400 2700	6800 4100	RF BW