



The Valve Company

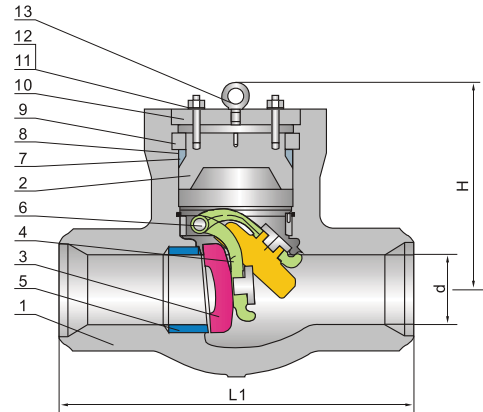
PRESSURE SEAL CAST STEEL SWING CHECK VALVE 2500Lb

Applicable standards:

STEEL CHECK VALVES,API6D/BS1868
STEEL CHECK VALVES,ISO 14313
STEEL VALVES,ASME B16.34
FACE TO FACE,ASME B16.10
END FLANGES,ASME B16.5
BUTTWELDING ENDS,ASME B16.25
INSPECTION AND TEST,API 598/API 6D

Design description:

PRESSURE SEAL BONNET CAP
SWING TYPE,ANTI-ROTATION DISC
RENEWABLE SEAT RINGS
NON-PENETRATE DISC SHAFT
HORIZONTAL OR VERTICAL SERVICE
FLANGED OR BUTTWELDING ENDS

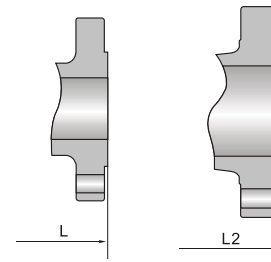


Materials of parts

| NO | Part Name | ASTM Material | | |
|----|-----------------------------|---------------|---------------|-----------------|
| | | Carbon Steel | 1 1/4Cr-1/2Mo | Carbon Steel |
| 1 | Body | A216-WCB | A217-WC6 | A351-CF8M |
| 2 | Bonnet Cap | A216-WCB | A217-WC6 | A351-CF8M |
| 3 | Disc | A105+HF | A182-F11+HF | A351-CF8M+HF |
| 4 | Hinge | A216-WCB | A217-WC6 | A351-CF8M |
| 5 | Seat Ring | A105+HF | A182-F11+HF | A240-316+HF |
| 6 | Hinge Pin | A276-420 | A276-304 | A276-316 |
| 7 | Bonnet Gasket ¹⁾ | Steel Ring | 304SS Ring | 316SS Ring |
| 8 | Adapter Ring | Carbon Steel | A276-420 | A276-316 |
| 9 | Retainer | Carbon Steel | A276-420 | A276-316 |
| 10 | Bonnet Clamp | Carbon Steel | Alloy Steel | Stainless Steel |
| 11 | Bonnet Stud | A193-B7 | A193-B7 | A193-B8M |
| 12 | Bonnet Stud Nut | A194-2H | A194-2H | A194-8M |
| 13 | Eyebolt | | Carbon Steel | |

Note:1).Graphite optional

2).Disc and seat ring may either be solid facing material or a base material equal to or better than the body/bonnet material with facing as shown.



Dimensions data

| NPS DN | 2 50 | 2 1/2 65 | 3 80 | 4 100 | 6 150 | 8 200 | 10 250 | 12 300 | in mm |
|--------------------------|--------------|--------------|--------------|--------------|--------------|---------------|---------------|---------------|----------|
| ANSI Class 2500Lb | | | | | | | | | |
| L1 (BW) | 11.0 279 | 13.00 330 | 14.50 368 | 18.00 457 | 24.00 610 | 30.00 762 | 36.00 914 | 41.00 1041 | in mm |
| L (RF) | 17.75 451 | 20.00 508 | 22.75 578 | 26.50 673 | 36.00 914 | 40.25 1022 | 50 1270 | 56 1422 | in mm |
| L2 (RTJ) | 17.88 454 | 20.50 514 | 23.00 584 | 26.88 683 | 36.50 927 | 40.88 1038 | 50.88 1292 | 56.88 1445 | in mm |
| H | 10.25 260 | 10.25 260 | 13.75 350 | 16.12 410 | 18.88 480 | 22.38 570 | 25.25 640 | 32.00 815 | in mm |
| WT (kg) | 55 93 | 78 130 | 95 170 | 182 315 | 300 618 | 630 1125 | 825 1760 | 1580 2910 | RF BW |