



The Valve Company

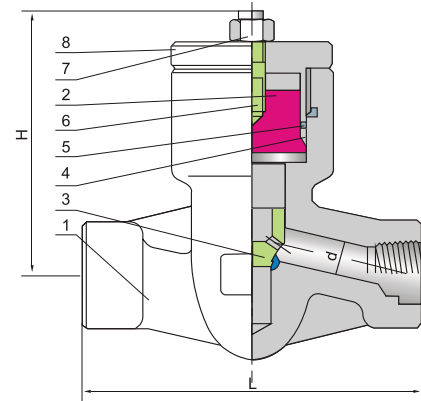
PRESSURE SEAL FORGED STEEL CHECK VALVE 900lb/1500lb/2500lb

Technical Specification

STEEL CHECK VALVES, API 602
 STEEL VALVES, ASME B16.34
 END TO END, MANUFACTURER STANDARD
 FACE TO FACE, FLANGED, ASME B 16.10
 END FLANGES, ASME B16.5
 BUTTWELDING ENDS, ASME B16.25
 SOCKET-WELDING ENDS, ASME B16.11
 SOREWED ENDS, ASME B 1.20.1
 INSPECTION AND TEST, API 598

Design description:

BOLTED BONNET CAP
 CHOICE OF WB, WELDING BONNET
 LIFT SWING TYPE
 SEAT RINGS INTEGRAL WITH BODY OF LIFT
 HORIZONTAL OR VERTICAL SERVICE
 SOCKET WELD ENDS
 SW, SOCKET-WELDING ENDS
 SC, SCREWED ENDS
 BW, BUTT WELDING ENDS
 FLANGED ENDS



Form of Major Part Material

No.	Part name	ASTM Material							
		Carbon Steel	F11	F22	304 Type	316 Type	304L Type	316L Type	20 Alloy
1	Body	A105	A182 F11	A182 F22	A182 F304	A182 F316	A182 F304L	A182 F316L	20-Alloy
2	From Seal Place	A105	A182 F11	A182 F22	A182 F304	A182 F316	A182 F304L	A182 F316L	20-Alloy
3	Disc	A182 F6a	A182 F11+HF	A182 F22+HF	A182 F304	A182 F316	A182 F304L	A182 F316L	20-Alloy
4	From Packing Ring	A182 F6a	A182 F11	A182 F22	A182 F304	A182 F316	A182 F304L	A182 F316L	20-Alloy
5	Promotes Gasket	A182 F6a	A182 F11	A182 F22	A182 F304	A182 F316	A182 F304L	A182 F316L	20-Alloy
6	Bonnet Bolt	A193 B7	A193 B7	A193 B16	A193 B8	A193 B8M	A193 B8	A193 B8M	A193 B8M
7	Bonnet Nut	A194-2H	A194-2H	A194-4	A194-8	A194-8M	A194-8	A194-8M	A194-8M
8	Bonnet	A105	A182 F11	A182 F22	A182 F304	A182 F316	A182 F304L	A182 F316L	20-Alloy

Class 900~1500 Main Outline Dimensions & Weight Pressure seal bonnet.

Designs according to BS 5352.

R.P	1/2	3/4	1	1 1/4	1 1/2	2
F.P	3/8	1/2	3/4	1	1 1/4	1 1/2
L	140	140	140	178	216	216
H	117	117	117	152	195	195
d	12	15	20	28	28	40
Weight (kg)	7.5	7.0	6.8	18.5	18.5	22

Class 2500 Main Outline Dimensions & Weight Pressure seal bonnet.

Designs according to BS 5352.

R.P	1/2	3/4	1	1 1/4	1 1/2	2
L	186	186	186	232	232	279
H	117	117	117	152	150	195
d	11	11	14	25	28	35
Weight (kg)	11.8	11	11	23	26.4	39