



The Valve Company

TOP ENTRY BALL VALVE

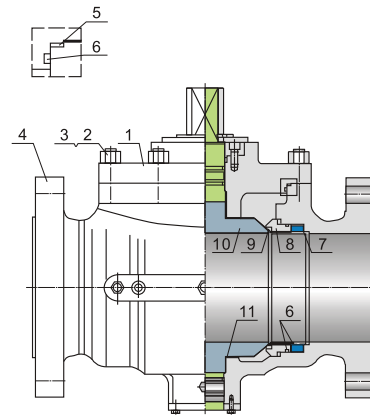
150lb/300lb

Applicable standards:

STEEL BALL VALVES, API 608/API 6D
 STEEL BALL VALVES, ISO 14313
 FIRE STATIC, API 607
 ANTI STATIC, API 608
 STEEL VALVES, ASME B16.34
 FACE TO FACE, ASME B16.10
 END FLANGES, ASME B16.5
 BURRWELDING ENDS, ASME B16.25
 INSPECTION AND TEST, API 598/API 6D

Design description

FULL PORT DESIGN
 BB, BOLTED BONNET, SPLIT BODY
 THREE PIECE BODY FOR 12 " & ABOVE
 TRUNNION MOUNTED BALL TYPE
 BLOW-OUT PROOF STEM
 FORE DURABLE CONSTRUCTION
 ANTI STATIC DEVICE
 STOPPER DEVICE
 ISO 5211 MOUNTING PAD
 FLANGED OR BUTTWELDING ENDS
 AVAILABLE WITH WG OPERATOR



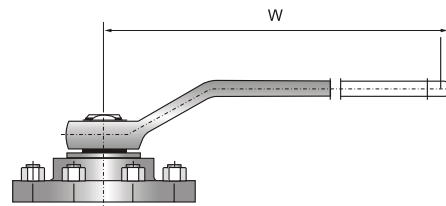
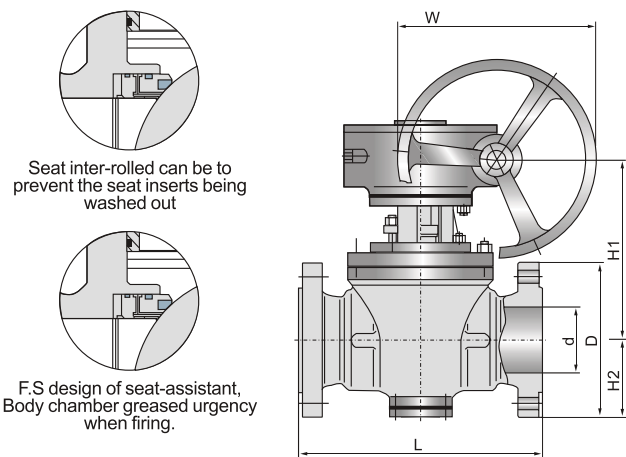
Main Types and Connecting Dimension

Class 150

Size	G	L	H1	H2	W	Weight
in	mm	mm	mm	mm	mm	kg
2	51	292	170	76	285	46
3	76	356	21	95	285	83
4	102	432	250	115	400	156
6	152	559	265	140	*400	256
8	203	660	355	172	*400	453
10	254	787	385	203	*600	622
12	305	838	400	242	*600	747
14	337	889	450	267	*600	959
16	387	991	510	299	*600	1220
18	438	1092	565	318	*600	1640
20	489	1194	620	349	*600	2118
24	591	1397	680	407	*700	2950

Class 300

Size	G	L	H1	H2	W	Weight
in	mm	mm	mm	mm	mm	kg
2	51	292	170	83	285	49
3	76	356	21	105	285	87
4	102	432	250	127	400	164
6	152	559	265	159	*400	272
8	203	660	355	191	*500	479
10	254	787	385	222	*600	657
12	305	838	400	261	*600	783
14	337	889	450	292	*600	1007
16	387	991	510	324	*600	1281
18	438	1092	565	256	*700	1722
20	489	1194	620	388	*700	2224
24	591	1397	680	457	*700	3100



Form of Major Part Material

Parts No.	Parts name	Materials		
		Carbon Steel	Low Temp. Steel	Stainless Steel
1	Body	ASTM A216-WCB	ASTM A352-LCB/LCC	ASTM A351-CF8/CF8M
2	Bonnet	ASTM A216-WCB	ASTM A352-LCB/LCC	ASTM A351-CF8/CF8M
3	Nut	ASTM A194-2H/2HM	ASTM A194 4	ASTM A194-2HM8
4	Bolt	ASTM A193-B7/B7M	ASTM A320 L7	ASTM A193-B7M/B8
5	Gasket	304+PTFE	304+PTFE	304+PTFE
6	O-ring	VITON	VITON	VITON
7	Spring	INCONELX-750	INCONELX-750	INCONELX-750
8	Seat ring	ASTM A105	ASTM A182 F304/F316	ASTM A182 F304/F316
9	Seat insert	RPTFE	RPTFE	RPTFE
10	Ball	ASTM A182-F6a	ASTM A182-F304	ASTM A182 F304/F316
11	Stem bearing	304+PTFE	304+PTFE	304+PTFE