



The Valve Company

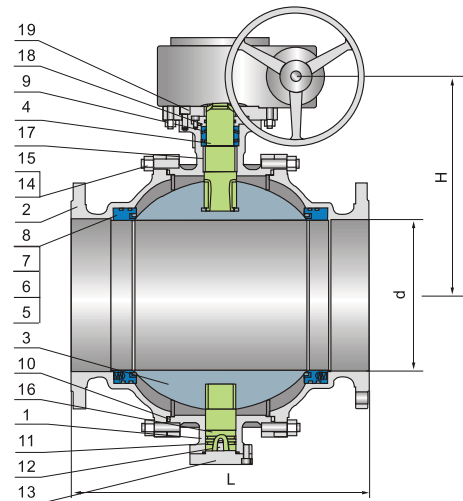
# TRUNNION MOUNTED CAST STEEL BALL VALVE 150LB

### Applicable standards:

STEEL BALL VALVES, API 608/API 6D  
STEEL BALL VALVES, ISO 10434/ISO 14313  
FIRE DURABLE, API 607  
ANTI STATIC, API 608  
STEEL VALVES, ASME B 16.34  
FACE TO FACE, ASME B 16.10  
END FLANGES, ASME B 16.5  
BUTTWELDING ENDS, ASME B 16.25  
INSPECTION AND TEST, API 598/API 6D

### Design description:

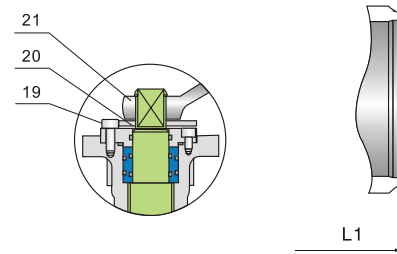
FULL PORT DESIGN  
BB, BOLTED BONNET, SPLIT BODY  
THREE PIECE BODY FOR 12" & ABOVE  
TRUNNION MOUNTED BALL TYPE  
BLOW-OUT PROOF STEM  
FIRE DURABLE CONSTRUCTION  
ANTI STATIC DEVICE  
STOPPER DEVICE  
ISO5211 MOUNTING PAD  
FLANGED OR BUTT WELDING ENDS  
AVAILABLE WITH BG OPERATOR



### Materials of parts

No	Part Name	ASTM Material		
		Carbon Steel	18Cr-9Ni-2Mo	Carbon Steel
1	Body	A216-WCB	A351-CF8M	A352-LCB
2	Bonnet	A216-WCB	A351-CF8M	A352-LCB
3	Ball	A182-F304 <sup>1)</sup>	A182-F316	A182-F304 <sup>1)</sup>
4	Stem	A276-304	A276-316	A276-304
5	Seat	A105+ENP	A182-F316	A350-LF2+ENP
6	Seat Insert	Glass Filled PTFE		
7	Seat Spring	A313-304	Inconel X-750	A313-304
8	Seat O-Ring	NBR	Viton	Viton
9	Stem O-Ring	NBR	Viton	Viton
10	Bonnet Gasket	Graphite+304 <sup>2)</sup>	Graphite+316 <sup>2)</sup>	Graphite+304 <sup>2)</sup>
11	Bonnet O-Ring	NBR	Viton	Viton
12	Antistatic Spring	A313-304	A313-316	A313-304
13	Grounding Plunger	A216-WCB	A182-F316	A182-F304
14	Bonnet Stud	A193-B7	A193-B8	A320-L7
15	Bonnet Stud Nut	A194-2H	A194-8	A194-4
16	Trunnion	A276-304	A276-316	A276-304
17	Trunnion Bearing	304+PTFE	316+PTFE	304+PTFE
18	Gland Flange	A216-WCB	A351-CF8M	A352-LCB
19	Gland Bolt	A193-B7	A193-B8	A193-B7
20	Stop Plate	Carbon Steel	Carbon Steel+Zn	Carbon Steel
21	Handle	Carbon Steel		

Note: 1). A105+ENP optional  
2). Spiral wound construction.



### Dimensions data

NPS	2	2½	3	4	6	8	10	12	14	16	18	20	24	26	28	30	32	36	in
DN	50	65	80	100	150	200	250	300	350	400	450	500	600	650	700	750	800	900	mm

### ANSI Class 150Lb

L (RF)	7.00	7.50	8.00	9.00	15.50	18.00	21.00	24.00	27.00	30.00	34.00	36.00	42.00	45.00	49.00	51.00	54.00	60.00	in
	178	190	203	229	394	457	533	610	686	762	864	914	1067	1143	1245	1295	1372	1524	mm
L1 (BW)	8.50	9.50	11.12	12.00	18.00	20.50	22.00	25.00	30.00	33.00	36.00	39.00	45.00	49.00	53.00	55.00	60.00	68.00	in
	216	241	283	305	457	521	559	635	762	838	914	991	1143	1245	1346	1397	1524	1727	mm
H	7.00	7.50	8.25	9.25	20.88	24.62	25.62	30.75	31.00	36.25	38.25	43.38	45.25	50.75	55.12	64.12	70.88	80.75	in
	177	190	210	235	530	625	650	780	790	920	970	1100	1150	1290	1400	1630	1840	2050	mm
(d)	49	62	74	100	150	201	252	303	334	385	436	487	589	633	684	735	779	874	mm
	14	16	20	20	24	24	24	24	32	32	32	32	32	32	32	32	32	32	in
W	350	400	500	500	600	600	600	600	800	800	800	800	800	800	800	800	800	800	mm
	15	19	27	38	81	140	160	205	260	390	510	750	1200	1400	1860	2100	2530	2970	RF
WT (kg)	13.5	15.5	24.5	32.5	76	132	147	182	241	370	495	726	1125	1250	1640	1930	2390	2760	BW