



The Valve Company

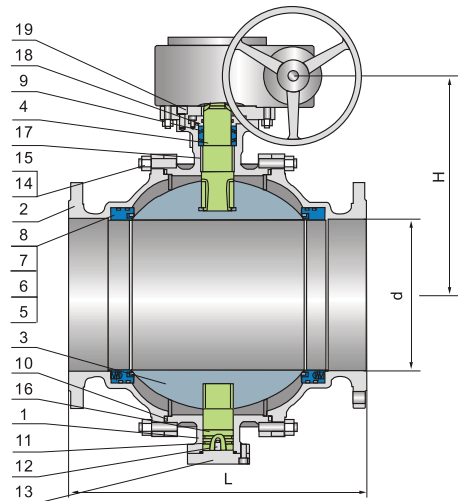
TRUNNION MOUNTED CAST STEEL BALL VALVE 300LB

Applicable standards:

STEEL BALL VALVES, API 608/API 6D
 STEEL BALL VALVES, ISO 10434/ISO 14313
 FIRE DURABLE, API 607
 ANTI STATIC, API 608
 STEEL VALVES, ASME B 16.34
 FACE TO FACE, ASME B 16.10
 END FLANGES, ASME B 16.5
 BUTTWELDING ENDS, ASME B 16.25
 INSPECTION AND TEST, API 598/API 6D

Design description:

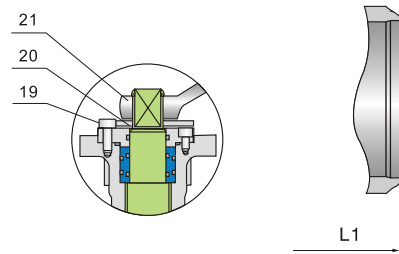
FULL PORT DESIGN
 BB, BOLTED BONNET, SPLIT BODY
 THREE PIECE BODY FOR 12 " & ABOVE
 TRUNNION MOUNTED BALL TYPE
 BLOW-OUT PROOF STEM
 FIRE DURABLE CONSTRUCTION
 ANTI STATIC DEVICE
 STOPPER DEVICE
 ISO5211 MOUNTING PAD
 FLANGED OR BUTT WELDING ENDS
 AVAILABLE WITH BG OPERATOR



Materials of parts

No	Part Name	ASTM Material		
		Carbon Steel	18Cr-9Ni-2Mo	Carbon Steel
1	Body	A216-WCB	A351-CF8M	A352-LCB
2	Bonnet	A216-WCB	A351-CF8M	A352-LCB
3	Ball	A182-F304 ¹⁾	A182-F316	A182-F304 ¹⁾
4	Stem	A276-304	A276-316	A276-304
5	Seat	A105+ENP	A182-F316	A350-LF2+ENP
6	Seat Insert	Glass Filled PTFE		
7	Seat Spring	A313-304	Inconel X-750	A313-304
8	Seat O-Ring	NBR	Viton	Viton
9	Stem O-Ring	NBR	Viton	Viton
10	Bonnet Gasket	Graphite+304 ²⁾	Graphite+316 ²⁾	Graphite+304 ²⁾
11	Bonnet O-Ring	NBR	Viton	Viton
12	Antistatic Spring	A313-304	A313-316	A313-304
13	Grounding Plunger	A216-WCB	A182-F316	A182-F304
14	Bonnet Stud	A193-B7	A193-B8	A320-L7
15	Bonnet Stud Nut	A194-2H	A194-8	A194-4
16	Trunnion	A276-304	A276-316	A276-304
17	Trunnion Bearing	304+PTFE	316+PTFE	304+PTFE
18	Gland Flange	A216-WCB	A351-CF8M	A352-LCB
19	Gland Bolt	A193-B7	A193-B8	A193-B7
20	Stop Plate	Carbon Steel	Carbon Steel+Zn	Carbon Steel
21	Handle		Carbon Steel	

Note: 1). A105+ENP optional
 2). Spiral wound construction.



Dimensions data

NPS	2	2½	3	4	6	8	10	12	14	16	18	20	24	26	28	30	32	in
DN	50	65	80	100	150	200	250	300	350	400	450	500	600	650	700	750	800	mm

ANSI Class 300Lb

L (RF)	8.50	9.50	11.12	12.00	15.88	19.75	22.38	25.50	30.00	33.00	36.00	39.00	45.00	49.00	53.00	55.00	60.00	in
	216	241	283	305	403	502	568	648	762	838	914	991	1143	1245	1346	1397	1524	mm
L1 (BW)	8.50	9.50	11.12	12.00	18.00	20.50	22.00	25.00	30.00	33.00	36.00	39.00	45.00	49.00	53.00	55.00	60.00	in
	216	241	283	305	403	521	559	635	762	838	914	991	1143	1245	1346	1397	1524	mm
H	7.00	7.50	8.25	9.25	20.88	24.62	56.62	30.75	31.00	36.25	38.25	43.38	45.25	50.75	55.12	64.12	70.88	in
	177	190	210	235	530	625	650	780	790	920	970	1100	1150	1290	1400	1630	1800	mm
(d)	49	62	74	100	150	201	252	303	334	385	436	487	589	633	684	735	779	mm
	14	16	20	20	24	24	24	24	32	32	32	32	32	32	32	32	32	in
W	350	400	500	500	600	600	600	600	800	800	800	800	800	800	800	800	800	mm
	19	24	34	48	101	175	200	255	325	485	635	935	1500	1750	2225	2450	2870	RF
WT (kg)	14	16	25	34	82	145	155	185	238	375	516	782	1280	1375	1825	2180	2260	BW