



The Valve Company

TRUNNION MOUNTED CAST STEEL BALL VALVE 600LB

Applicable standards:

STEEL BALL VALVES, API 608/API 6D
STEEL BALL VALVES, ISO 10434/ISO 14313
FIRE DURABLE, API 607
ANTI STATIC, API 608
STEEL VALVES, ASME B 16.34
FACE TO FACE, ASME B 16.10
END FLANGES, ASME B 16.5
BUTTWELDING ENDS, ASME B 16.25
INSPECTION AND TEST, API 598/API 6D

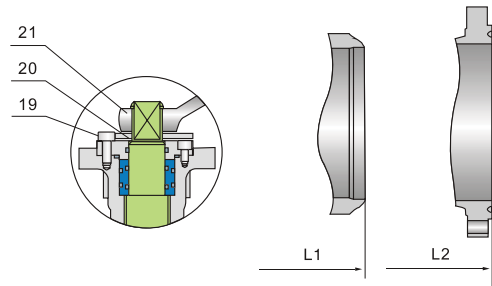
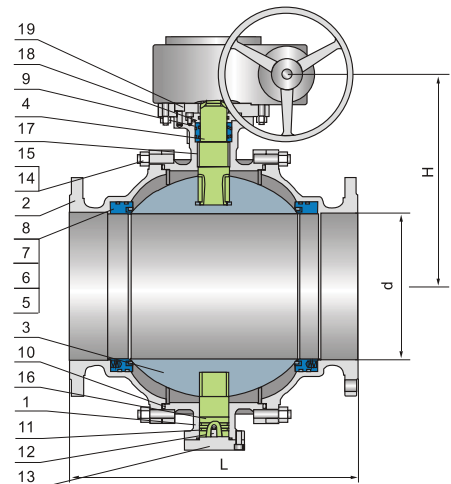
Design description:

FULL PORT DESIGN
BB, BOLTED BONNET, SPLIT BODY
THREE PIECE BODY FOR 12" & ABOVE
TRUNNION MOUNTED BALL TYPE
BLOW-OUT PROOF STEM
FIRE DURABLE CONSTRUCTION
ANTI STATIC DEVICE
STOPPER DEVICE
ISO5211 MOUNTING PAD
FLANGED OR BUTT WELDING ENDS
AVAILABLE WITH BG OPERATOR

Materials of parts

No	Part Name	ASTM Material		
		Carbon Steel	18Cr-9Ni-2Mo	Carbon Steel
1	Body	A216-WCB	A351-CF8M	A352-LCB
2	Bonnet	A216-WCB	A351-CF8M	A352-LCB
3	Ball	A182-F304 ¹⁾	A182-F316	A182-F304 ¹⁾
4	Stem	A276-304	A276-316	A276-304
5	Seat	A105+ENP	A182-F316	A350-LF2+ENP
6	Seat Insert	Glass Filled PTFE		
7	Seat Spring	A313-304	Inconel X-750	A313-304
8	Seat O-Ring	NBR	Viton	Viton
9	Stem O-Ring	NBR	Viton	Viton
10	Bonnet Gasket	Graphite+304 ²⁾	Graphite+316 ²⁾	Graphite+304 ²⁾
11	Bonnet O-Ring	NBR	Viton	Viton
12	Antistatic Spring	A313-304	A313-316	A313-304
13	Grounding Plunger	A216-WCB	A182-F316	A182-F304
14	Bonnet Stud	A193-B7	A193-B8	A320-L7
15	Bonnet Stud Nut	A194-2H	A194-8	A194-4
16	Trunnion	A276-304	A276-316	A276-304
17	Trunnion Bearing	304+PTFE	316+PTFE	304+PTFE
18	Gland Flange	A216-WCB	A351-CF8M	A352-LCB
19	Gland Bolt	A193-B7	A193-B8	A193-B7
20	Stop Plate	Carbon Steel	Carbon Steel+Zn	Carbon Steel
21	Handle		Carbon Steel	

Note: 1). A105+ENP optional
2). Spiral wound construction.



Dimensions data

NPS	2	2½	3	4	6	8	10	12	14	16	18	20	24	26	28	in
DN	50	65	80	100	150	200	250	300	350	400	450	500	600	650	700	mm

ANSI Class 600Lb

L (RF)	11.50	13.00	14.00	17.00	22.00	26.00	31.00	33.00	35.00	39.00	43.00	47.00	55.00	57.00	61.00	in
	292	330	356	432	559	660	787	838	889	991	1092	1194	1397	1448	1549	mm
L1 (BW)	11.62	13.12	14.12	17.12	22.12	26.12	21.12	33.12	35.12	39.12	43.12	47.25	55.38	57.50	61.50	in
	295	333	359	435	562	664	791	841	892	994	1095	1200	1407	1461	1562	mm
H	7.12	7.62	8.50	9.50	21.25	25.00	26.12	31.12	31.88	36.38	38.75	44.50	46.62	52.50	57.00	in
	180	193	215	241	540	635	665	790	810	925	985	1130	1185	1335	1450	mm
(d)	49	62	74	100	150	201	252	303	334	385	436	487	589	633	684	mm
W	14	16	20	20	24	24	24	24	32	32	32	32	32	32	32	in
	350	400	500	500	600	600	600	600	800	800	800	800	800	800	800	mm
WT (kg)	26	35	58	81	142	287	540	780	1000	1300	1700	2100	3400	3800	4500	RF
	19	25	42	51	85	200	395	610	805	1010	1350	1656	2775	3125	3790	BW