



The Valve Company

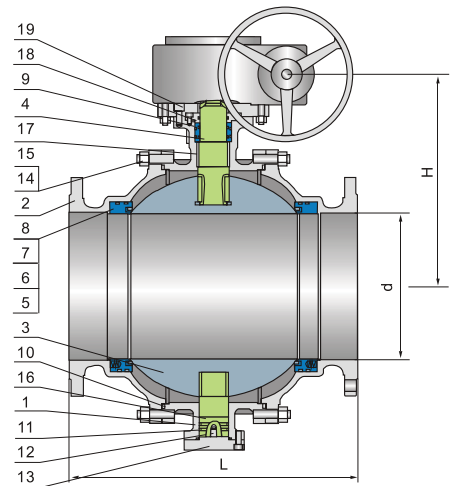
TRUNNION MOUNTED CAST STEEL BALL VALVE 900LB

Applicable standards:

STEEL BALL VALVES, API 608/API 6D
 STEEL BALL VALVES, ISO 10434/ISO 14313
 FIRE DURABLE, API 607
 ANTI STATIC, API 608
 STEEL VALVES, ASME B 16.34
 FACE TO FACE, ASME B 16.10
 END FLANGES, ASME B 16.5
 BUTTWELDING ENDS, ASME B 16.25
 INSPECTION AND TEST, API 598/API 6D

Design description:

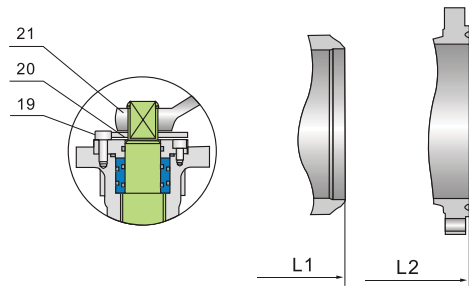
FULL PORT DESIGN
 BB, BOLTED BONNET, SPLIT BODY
 THREE PIECE BODY FOR 12" & ABOVE
 TRUNNION MOUNTED BALL TYPE
 BLOW-OUT PROOF STEM
 FIRE DURABLE CONSTRUCTION
 ANTI STATIC DEVICE
 STOPPER DEVICE
 ISO5211 MOUNTING PAD
 FLANGED OR BUTT WELDING ENDS
 AVAILABLE WITH BG OPERATOR



Materials of parts

No	Part Name	ASTM Material		
		Carbon Steel	18Cr-9Ni-2Mo	Carbon Steel
1	Body	A216-WCB	A351-CF8M	A352-LCB
2	Bonnet	A216-WCB	A351-CF8M	A352-LCB
3	Ball	A182-F304 ¹⁾	A182-F316	A182-F304 ¹⁾
4	Stem	A276-304	A276-316	A276-304
5	Seat	A105+ENP	A182-F316	A350-LF2+ENP
6	Seat Insert	Glass Filled PTFE		
7	Seat Spring	A313-304	Inconel X-750	A313-304
8	Seat O-Ring	NBR	Viton	Viton
9	Stem O-Ring	NBR	Viton	Viton
10	Bonnet Gasket	Graphite+304 ²⁾	Graphite+316 ²⁾	Graphite+304 ²⁾
11	Bonnet O-Ring	NBR	Viton	Viton
12	Antistatic Spring	A313-304	A313-316	A313-304
13	Grounding Plunger	A216-WCB	A182-F316	A182-F304
14	Bonnet Stud	A193-B7	A193-B8	A320-L7
15	Bonnet Stud Nut	A194-2H	A194-8	A194-4
16	Trunnion	A276-304	A276-316	A276-304
17	Trunnion Bearing	304+PTFE	316+PTFE	304+PTFE
18	Gland Flange	A216-WCB	A351-CF8M	A352-LCB
19	Gland Bolt	A193-B7	A193-B8	A193-B7
20	Stop Plate	Carbon Steel	Carbon Steel+Zn	Carbon Steel
21	Handle	Carbon Steel		

Note: 1). A105+ENP optional
 2). Spiral wound construction.



Dimensions data

NPS	2	2½	3	4	6	8	10	12	14	16	18	20	24	in
DN	50	65	80	100	150	200	250	300	350	400	450	500	600	mm

ANSI Class 900Lb

L (RF)	14.50	16.50	15.00	18.00	24.00	29.00	33.00	38.00	40.50	44.50	48.00	52.00	61.00	in
	368	419	381	457	610	737	838	965	1029	1130	1219	1321	1549	mm
L1 (BW)	14.62	16.62	15.12	18.12	24.12	29.12	33.12	38.12	40.88	44.88	48.50	52.50	61.75	in
	371	422	384	460	613	740	641	968	1038	1140	1232	1334	1568	mm
H	8.62	9.25	10.25	15.38	25.75	30.25	31.75	38.00	38.50	45.00	47.00	53.50	56.00	in
	219	235	260	390	655	770	805	965	980	1145	1195	1360	1425	mm
(d)	49	62	74	100	150	201	252	303	322	373	423	471	570	mm
W	20	20	20	24	24	24	24	32	32	32	32	32	32	in
	500	500	500	600	600	600	600	800	800	800	800	800	800	mm
WT (kg)	31	43	68	98	171	345	650	940	1205	1565	2050	2535	3950	RF
	23	31	51	61	102	240	480	735	965	1215	1625	1995	3335	BW