



The Valve Company

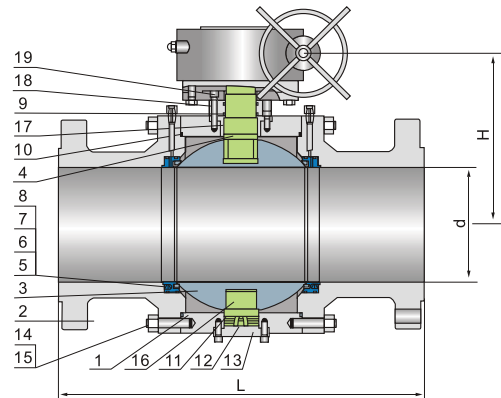
TRUNNION MOUNTED FORGED STEEL BALL VALVE 1500LB/2500LB

Applicable standards:

STEEL BALL VALVES, API 608/API 6D
STEEL BALL VALVES, ISO 14313
FIRE STATIC, API 607
ANTI STATIC, API 608
STEEL VALVES, ASME B16.34
FACE TO FACE, ASME B16.10
END FLANGES, ASME B16.5
BURRWELDING ENDS, ASME B16.25
INSPECTION AND TEST, API 598/API 6D

Design description

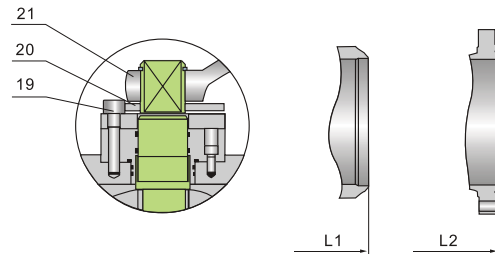
FULL PORT DESIGN
BB, BOLTED BONNET, SPLIT BODY
THREE PIECE BODY FOR 12" & ABOVE
TRUNNION MOUNTED BALL TYPE
BLOW-OUT PROOF STEM
FORE DURABLE CONSTRUCTION
ANTI STATIC DEVICE
STOPPER DEVICE
ISO 5211 MOUNTING PAD
FLANGED OR BUTTWELDING ENDS
AVAILABLE WITH WG OPERATOR



Materials of parts

NO	Part Name	ASTM Material		
		Carbon Steel	18Cr -9Ni -2Mo	Carbon Steel
1	Body	A105	A182-F316	A350-LF2
2	Bonnet	A105	A182-F316	A350-LF2
3	Ball	A182-F304 ¹⁾	A182-F316	A182-F304 ¹⁾
4	Stem	A276-304	A276-316	A276-304
5	Seat	A105+ENP	A182-F316	A350-LF2+ENP
6	Seat Insert	Glass Filled PTFE		
7	Seat Spring	A313-304	Inconel X-750	A313-304
8	Seat O - Ring	NBR	Viton	Viton
9	Stem O - Ring	NBR	Viton	Viton
10	Bonnet Gasket	Graphite+304 ²⁾	Graphite+316 ²⁾	Graphite+304 ²⁾
11	Bonnet O - Ring	NBR	Viton	Viton
12	Antistatic Spring	A313-304	A313-316	A313-304
13	Grounding Plunger	A182-F304	A182-F316	A182-F304
14	Bonnet Stud	A193-B7	A193-B8	A320-L7
15	Bonnet Stud Nut	A194-2H	A194-8	A194-4
16	Trunnion	A276-304	A276-316	A276-304
17	Trunnion Bearing	304+PTFF	316+PTFE	304+PTFE
18	Gland	A105	A182-F316	A350-LF2
19	Gland Bolt	A193-B7	A193-B8	A193-87
20	Stop Plate	Carbon Steel	Carbon Steel+Zn	Carbon Steel
21	Handle	Carbon Steel		

Note: 1) .A105+ENP optional.
2) .Spiral wound construction.



Dimensions data

NPS DN	2 50	2½ 65	3 80	4 100	6 150	8 200	10 250	12 300	14 350	16 400	2 50	2½ 65	3 80	4 100	6 150	8 200	10 250	12 300	in mm
ANSI Class 1500Lb											ANSI Class 2500Lb								
L/L1 (RF)/(BW)	14.50 368	16.50 419	18.50 470	21.50 546	27.75 705	32.75 832	39.00 991	44.50 1130	49.50 1257	54.50 1384	17.75 451	20.00 508	22.75 578	26.50 673	36.00 914	40.25 1022	50.00 1270	56.00 1422	in mm
L2 (RTJ)	14.62 371	16.62 422	18.62 473	21.62 549	28.00 711	33.12 841	39.38 1000	45.12 1146	50.25 1276	55.38 1407	17.88 454	21.25 540	23.00 584	26.88 683	36.50 927	40.88 1038	50.88 1292	56.88 1445	in mm
H	6.75 170	7.50 190	8.25 210	11.38 290	13.00 330	15.75 400	17.38 440	22.00 560	25.25 640	27.12 690	7.50 190	9.00 230	11.00 280	14.12 360	15.75 400	18.88 480	20.50 520	26.38 670	in mm
(d)	49	62	74	100	144	192	239	287	315	360	42	52	62	87	131	179	223	265	mm
W	24 600	24 600	32 800	32 800	32 800	32 800	32 800	40 1000	40 1000	40 1000	24 600	32 800	32 800	32 800	32 800	40 1000	40 1000	40 1000	in mm
WT (kg)	55 40	75 55	95 65	150 115	540 420	880 685	1360 1025	1980 1555	3100 2600	4650 3930	68 54	95 74	120 91	185 122	675 555	1100 918	1650 1355	2300 1950	RF/RTJ BW